

Nostell Recessed or Surface Mounted Aluminium Cabinet INST06045, INST06046, INST06047



Specification

	INST06045 (Single Door)	INST06046 (Double Door)	INST06047 (Double Door)
Finish	Black framed with mirrored sides	Black framed with mirrored sides	Black framed with mirrored sides
Dimensions	800(h) x 490(w) x 120(d) mm	800(h) x 590(w) x 120(d) mm	800(h) x 790(w) x 120(d) mm
Weight	18kg	21kg	27kg
Lighting Type	LED	LED	LED
Colour Changing Technology (CCT)	Yes	Yes	Yes
Switch Location	Right in open shelf	Right in open shelf	Right in open shelf
Surface/Recess Fitting	Surface/Recess	Surface/Recess	Surface/Recess
Carcass/Frame Construction Material	Aluminium	Aluminium	Aluminium
Carcass/Frame Finish	Painted	Painted	Painted
Number of Internal Shelves	Five	Five	Five
Shelves (Fixed/Adjustable)	Adjustable	Adjustable	Adjustable
Door Hinge Handing	Left hand	-	-
Glass Thickness	6mm	6mm	6mm

Features

Doors	Push-to-open, double sided mirror doors with demister pad
Lighting	Bright LED lighting, colour changing and dimming

FAQs

Please see following pages



Key Features + Benefits

5 Years Guarantee	2 Years Guarantee Electrical Components	 USB Charging Socket	 Charging Socket	 Wireless Charging	IP44 IP44 Rated	LED LED Lighting
CCT CCT Control Lighting	IR Infrared Controls	 Heated Demister Pad	 Internal Shelves	 Recessed or Surface Mounted		

Certifications + Accreditations

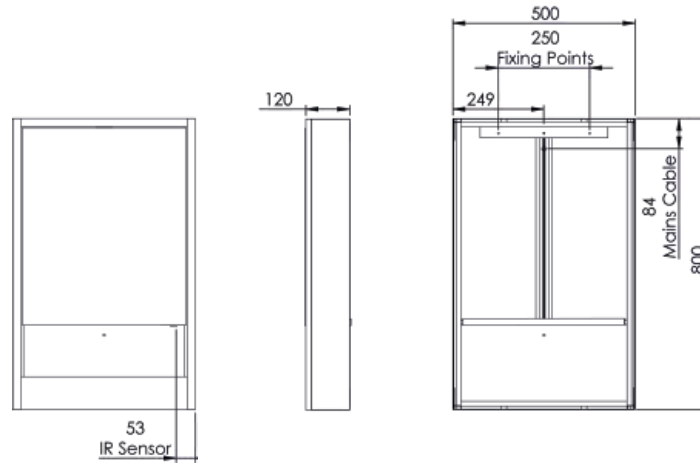
Roper Rhodes

Brassmill Lane Trading Estate, Bath, BA1 3JF. Technical Support – Tel: 01225 303 900 Email: sales@roperrhodes.co.uk

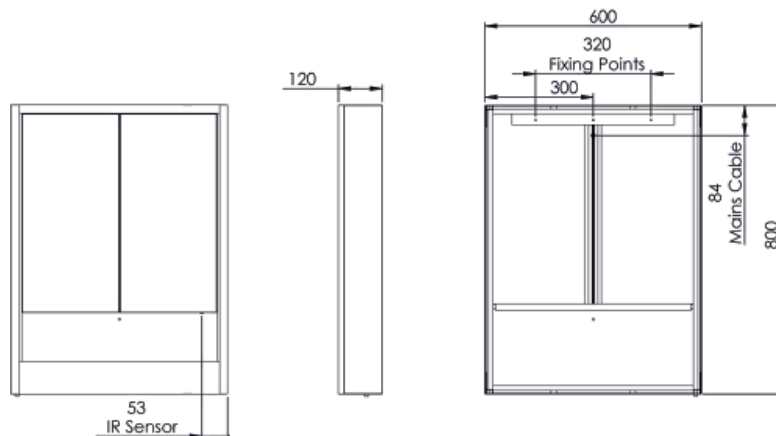
All information on the data sheet is correct at the time of publication. All measurements are approximate and subject to standard tolerances.

Nostell Recessed or Surface Mounted Aluminium Cabinet INST06045, INST06046, INST06047

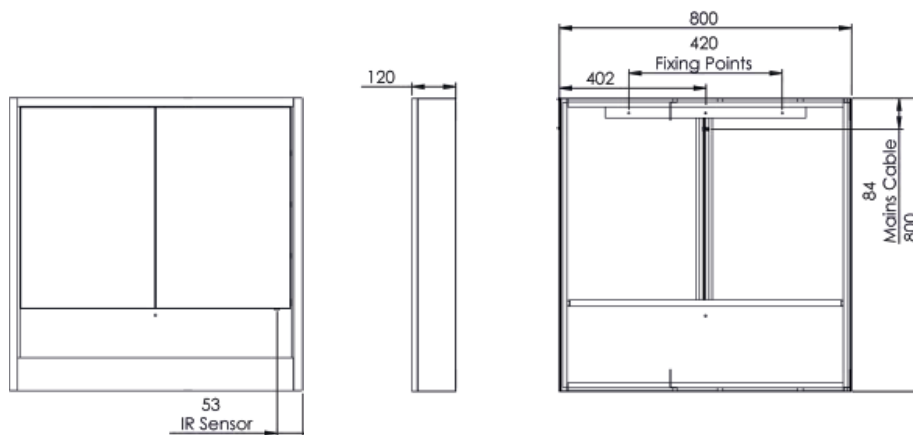
Single Door (INST06045)



Double Door (INST06046)



Double Door (INST06047)



Roper Rhodes

Brassmill Lane Trading Estate, Bath, BA1 3JF. Technical Support – Tel: 01225 303 900 Email: sales@roperrhodes.co.uk

All information on the data sheet is correct at the time of publication. All measurements are approximate and subject to standard tolerances.

Nostell Recessed or Surface Mounted Aluminium Cabinet INST06045, INST06046, INST06047

FAQs

	INST06045 (Single Door)	INST06046 (Double Door)	INST06047 (Double Door)
Recess Dimensions***	777(h) x 480(w) x 105(d) mm	777(h) x 580(w) x 105(d) mm	777(h) x 780(w) x 105(d) mm
Internal Dimensions	442(h) x 526.5(w) x 83(d) mm	542(h) x 526.5(w) x 83(d) mm	742(h) x 526.5(w) x 83(d) mm
Shelf dimensions	191.5(h) x 82(w) x 5(d) mm	241.5(h) x 82(w) x 5(d) mm	341.5(h) x 82(w) x 5(d) mm
Max shelf spacing	70mm	70mm	70mm
Distance between door hinges	345mm	345mm	345mm
Individual door dimensions	439(h) x 550(w) x 6(d) mm	269(h) x 550(w) x 6(d) mm	369(h) x 550(w) x 6(d) mm
Max door opening angle	110°	110°	110°
Depth with door fully open	Surface Mount: 550 + 120	Surface Mount: 550 + 120	Surface Mount: 550 + 120
Hanging bracket centres	–	–	–
What is the thickness of the mirror glass?	6mm	6mm	6mm
Is the cabinet IP44 rated?	Yes	Yes	Yes
What size fuse should I use?	Seek the advice of an electrician		
What is the total power consumption?	88W	117W	125W
Does the cabinet have an energy rating?	F	F	F
What is the colour of the light and the Kelvin rating?	2700-6000K	2700-6000K	2700-6000K
What is the Lumen of the LEDs?*	1140Lms	1380Lms	1890Lms
What is the wattage of the lights?	18W	22W	30W
Where is the IR sensor/rocker switch located?	Underneath doors – Right side	Underneath doors – Right side	Underneath doors – Right side
Where is the shaver socket located?	In the centre column	In the centre column	In the centre column
Can the LED lighting be replaced?	No**	No**	No**
Can the IR sensor be replaced?	Yes	Yes	Yes
What is the output of the demister pad?	25W	50W	50W
What are the dimensions of the demister pad?	200(h) x 300(w) mm	200(h) x 300(w) mm x 2pcs	200(h) x 300(w) mm x 2pcs
How do I turn on the demister pad?	The demister pad will turn on when the LEDs are turned on		
Are illuminated cabinets supplied with mains cable?	All illuminated cabinets are supplied with a removeable 500mm mains cable. There is ample storage for excess cable in the back of the unit.		

*The Lumen represents the output of the LED. This may vary depending on the diffuser material i.e., glass or acrylic.

**The LEDs are not replaceable to maintain the integrity of the product's resistance to moisture ingress.

***Recessing the cabinet – the product is designed to be installed into a 100mm stud wall. Depending on fascia finishes, there may be a small gap between the cabinet frame and wall finish to accommodate sealant around the perimeter.