

Nostell Standard Height Short Projection Rimless Closed Back Close Coupled WC Suite INST02020, INST02069, INST02071



Cistern Specification

Close Coupled Cistern + Chrome Handle
(INST02069)

Finish	White
Dimensions	480(h) x 362(w) x 450(d) mm
Weight	11.5kg
Cistern Fitting Manufacturer	R&T
Lever	Lever
Lever Position	Right hand
Inlet Position (When looking at WC)	Bottom right

Seat Specification

Quick Release, Soft Close, Slim Seat & Cover
(INST02071)


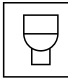
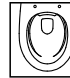
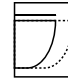



Finish	White
Dimensions	421(h) x 362(w) x 39(d) mm
Weight	2kg
Seat Hinge Material	Stainless Steel
Antibacterial Protection	No
Seat Type	Slim
UV Protection	-
Max Load Test	150kg
Seat Material	Thermoset

Pan Specification

Standard Height Short Projection Rimless Closed Back
Close Coupled Pan
(INST02020)

Finish	White
Dimensions	420(h) x 360(w) x 620(d) mm
Weight	23.3kg
Fixing Supplied	Yes
Fixing Exposed or Concealed	Concealed

Key Features + Benefits

10	5	2							
Years Guarantee on Ceramics	Years Guarantee on Seats	Years Guarantee on Cistern Components	Closed Back WC Suite	Close Coupled WC Suite	Rimless Pan	Short Projection Pan	Dual Flush Volume	Air Gap Inlet Valve	Soft Close Seat

Certifications + Approvals

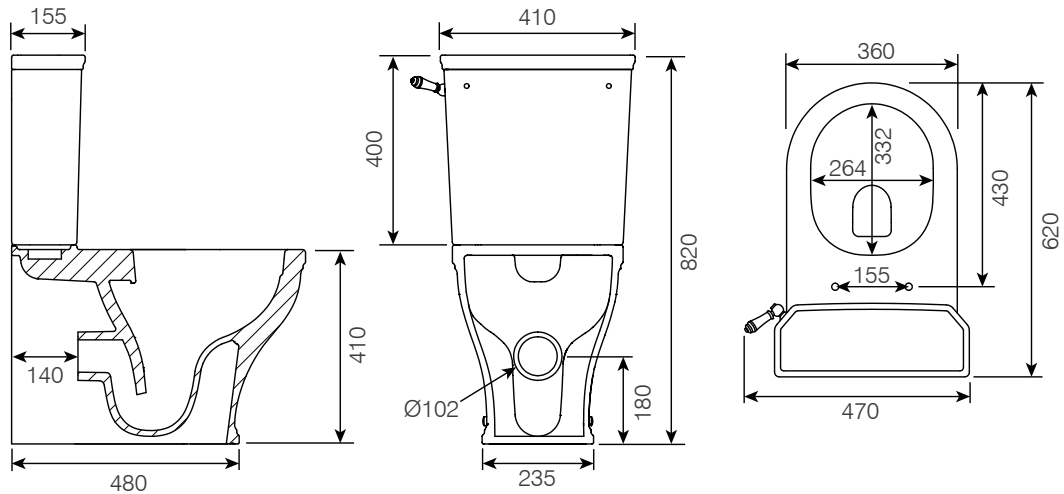
Roper Rhodes

Brassmill Lane Trading Estate, Bath, BA1 3JF. Technical Support – Tel: 01225 303 900 Email: sales@roperrhodes.co.uk

All information on the data sheet is correct at the time of publication. All measurements are approximate and subject to standard tolerances.

Nostell Standard Height Short Projection Rimless Closed Back Close Coupled WC Suite INST02020, INST02069, INST02071

Pan (INST02020) + Cistern (INST02069)

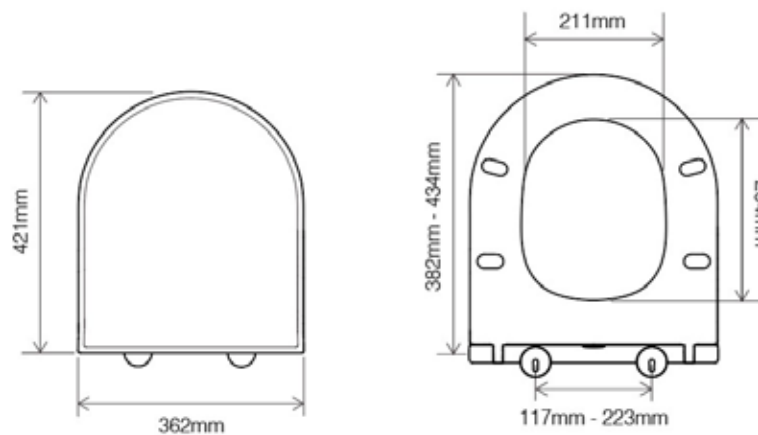


Extra Dimensions

Front to Back Footprint – 480mm
Left to Right Footprint – 235mm
Bowl Front to Back – 332mm
Bowl Left to Right – 264mm

Pan Height – 410mm
Pan Overall Front to Back – 620mm
Centre Waste Outlet to Floor – 180mm

Seat (INST02071)



Extra Dimensions

Seat/Lid Front to Back – 421mm
Seat/Lid Left to Right – 362mm
Ring Hole Front to Back – 264mm
Ring Hole Left to Right – 211mm
Seat Overall Thickness – 39mm
Width of Back of Seat – 362mm

Roper Rhodes

Brassmill Lane Trading Estate, Bath, BA1 3JF. Technical Support – Tel: 01225 303 900 Email: sales@roperrhodes.co.uk

All information on the data sheet is correct at the time of publication. All measurements are approximate and subject to standard tolerances.