

After care service

Cleaning your product

When cleaning the cabinet or any mirrored surfaces it is recommended to use a soft, dry, non abrasive cloth with the cabinet turned off. Do not use cleaning agents or abrasive materials.

Do not allow moisture to come into contact with any electrical components.

Troubleshooting & After care service

For any further assistance, please feel free to contact our tech support team at: techsupport@roperrhodes.co.uk.

10 Year Guarantee (2 Year Electronics Guarantee)

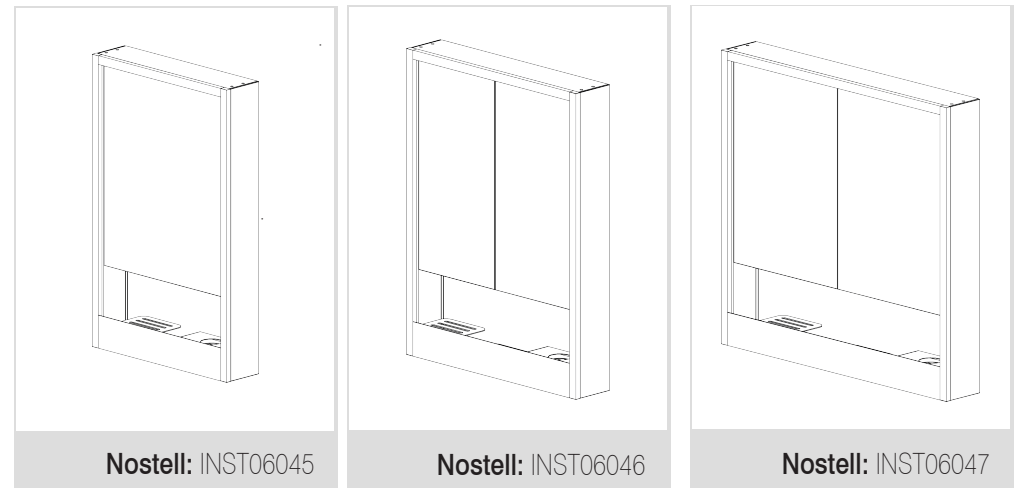
We have complete confidence in this Roper Rhodes bathroom cabinet and as such it is offered with a 10-year guarantee against defects in manufacture and a 2 year guarantee for electronic components. The guarantee requires that this product be used in the manner for which it was intended and that it is installed and maintained in accordance with the fitting instructions. The guarantee covers products in domestic use only and is not transferable. In the unlikely event that this product should fail during the guarantee period we will either replace the faulty part or the complete unit as appropriate.

Compliance

This product complies with all relevant British and European safety standards.



INSTINCT®



Nostell Cabinet Surface Mounted Illuminated Cabinet Installation & Aftercare Instructions

Retain for future reference

© PHG 2022

Brassmill Lane Trading Estate, Bath, BA1 3JF
TEL: 01225 303 900 | techsupport@roperrhodes.co.uk

AO.11.21.V1

Electrical Safety

Suitable for UK Installations **only**.

All fittings must be installed by a competent person, in accordance with current IEE wiring regulations. If in doubt consult a qualified electrician.

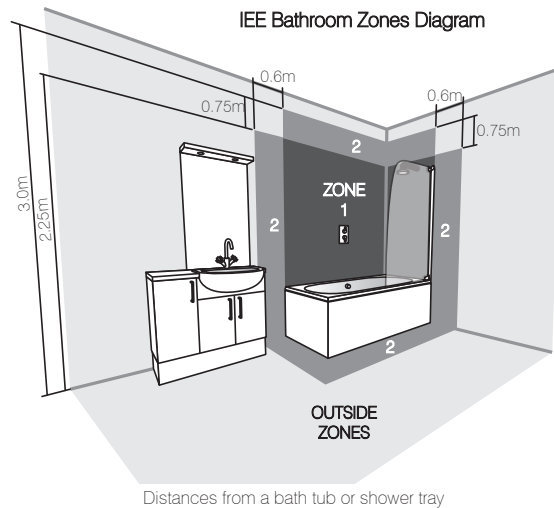
Important: Always switch off the electrical supply at the mains before installation and maintenance. It is recommended that the fuse is withdrawn or the circuit breaker is switched off for the necessary circuit before installation commences.

This product is manufactured to class I category and **must** have an earth connection.

WIRING DIAGRAM - MAINS SUPPLY



Bathroom Zones



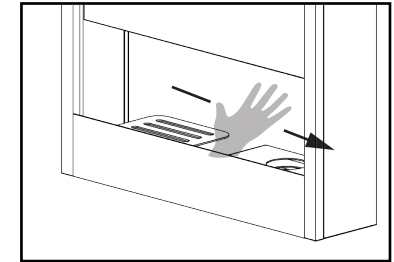
Bathroom fittings are subject to the appropriate zones in accordance with IEE Regulations. This product is **only** suitable for permanent indoor installation in Zone 2 and outside zones. (See above) This product is **not** suitable for installation in Zone 0 or 1, saunas, steam rooms or shower cubicles. Do **not** connect to a trailing plug and socket. Do **not** install onto surfaces that are either damp or electrically conductive.

Operating Instructions

The Nostell cabinet comes with LED lighting, which is controlled via a fixed IR sensor located below the doors of the product. The lighting can be controlled using the functions detailed below:

Turn Mirror ON/OFF

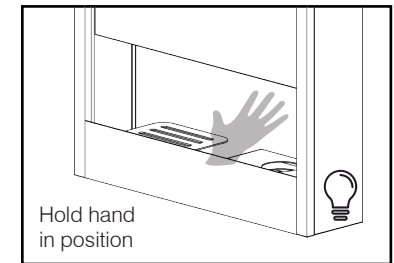
To turn the product on/off, slowly wave your hand under the IR sensor. When the product is on, the heated demister will turn on.



Change LED colour

1. When the mirror is OFF
2. Hold your hand under the IR sensor to adjust the colour temperature.
3. Remove hand from IR sensor once desired colour temperature is achieved.

Note: The colour temperature will be memorised.

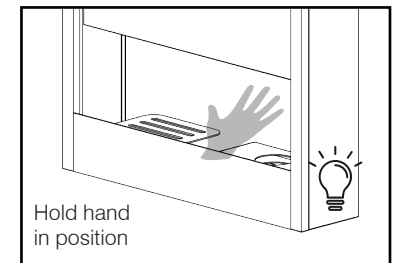


Warm White 2700K → Natural White 4000K → Daylight White 6000K

Change LED intensity

1. When the cabinet is ON
2. Hold your hand under the IR sensor to adjust its brightness.
3. Remove hand from IR sensor once desired intensity is reached.

Note: The brightness will be memorised.



< 10%

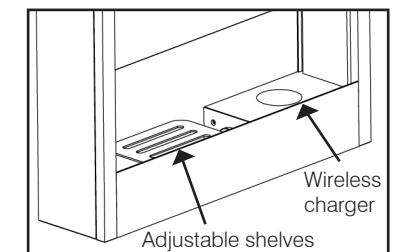
100%

To use the wireless charger

Place your phone on top of the wireless charging box.

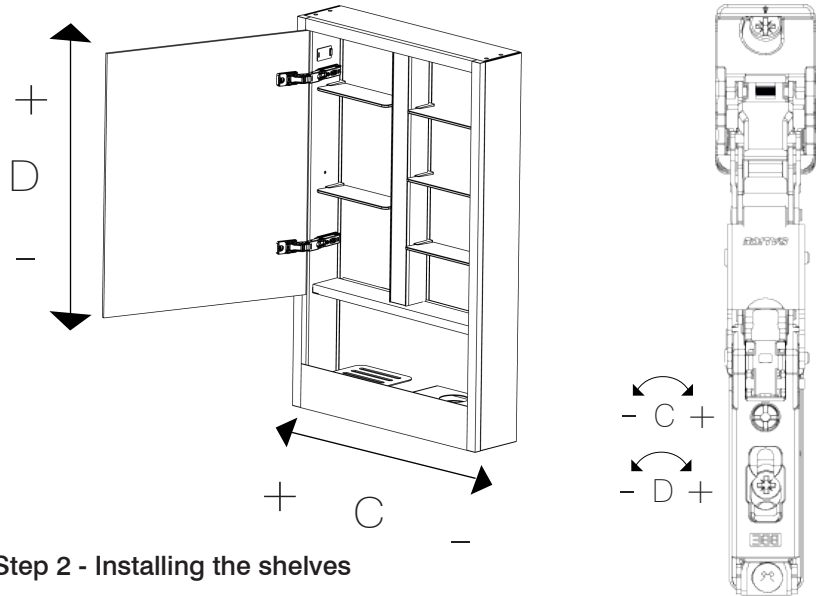
Adjusting the shelves below the doors

The metal shelves slide into slots located on the inside of the front panel at the bottom of the cabinet. The shelves can be placed at different heights.



Final installation stage - Door Adjustment

1.1 – Adjust the cabinet doors using the adjustment screws on the hinges. As shown below.

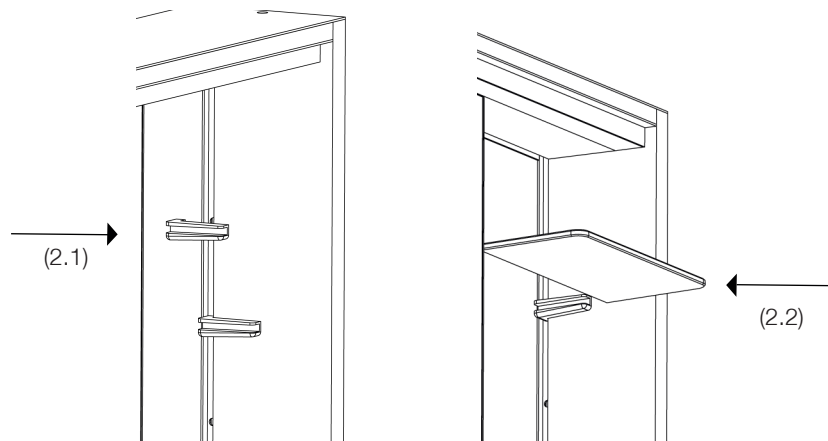


Step 2 - Installing the shelves

2.1 – Push in the shelf supports into the holes in the groove at the back of the cabinet (2.1).

2.2 – Slide the glass shelf into the shelf supports (2.2).

2.3 – Repeat steps 2.1 to 2.2 for the remaining shelves.



Installation Procedure

Important: Before starting the installation process, make sure the electrical supply is switched off. It is recommended that the fuse is withdrawn or the circuit breaker is switched off for the necessary circuit.

Important: Before starting the installation process, ensure the partition construction is suitable. Ensure it can support the weight of the cabinet, there is enough depth within the wall partition to house the cabinet, studs and noggins are suitably spaced and there is nothing obstructing the recessed area.

Note: If the cabinet is recessed into the wall it will require the construction of a framework within the wall to seat and support the cabinet. This must be straight and square to ensure a successful installation. If in doubt consult a professional fitter.

Installation Procedure - Surface Mount

1.1 – Using a pencil, mark on the wall where you wish the centre of the top surface of the cabinet to be (1.1).

1.2 – Measure 60mm vertically below this point and make a mark.

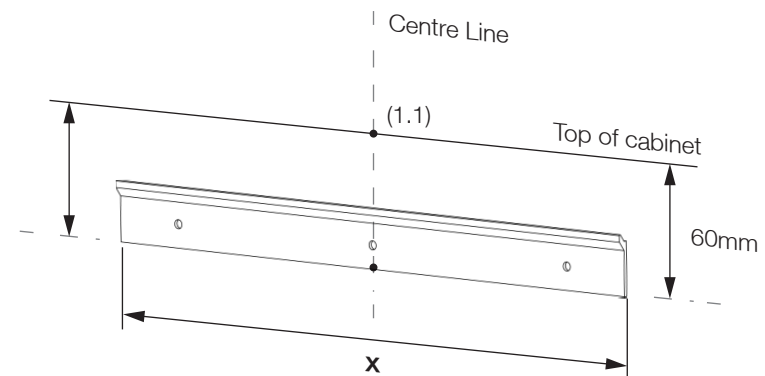
1.3 – Using a spirit level, draw a line of distance X centred on this point and parallel with the floor.

1.4 – Align the outer edge of the wall bracket with the ends of this line X.

1.5 – Using the wall bracket as a guide, mark the hole positions.

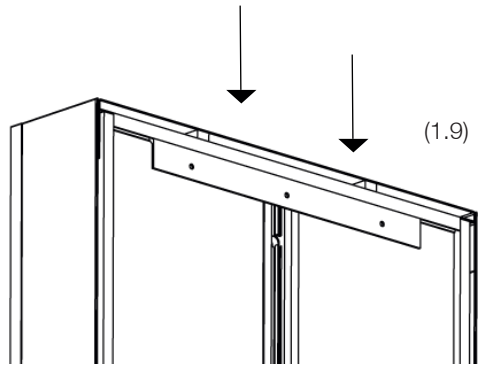
1.6 – Drill the marked holes and fit the wall plugs.

1.7 – Screw the wall brackets into place ensuring the screws are fully tightened but take care not to overtighten.



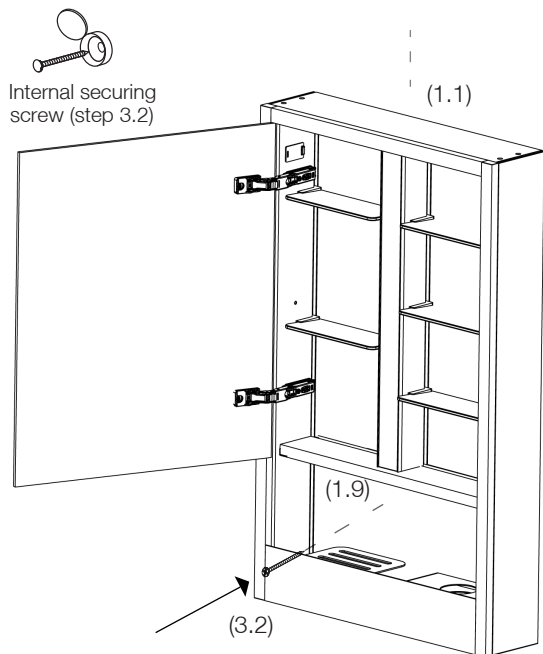
Installation Procedure - Surface mount

1.8 – Hang the cabinet on the wall bracket and check its level. Make sure the wall bracket has entered the slot and the cabinet is not resting on the edge of the wall bracket.



1.9 – When the cabinet is level, mark the hole on the lower section of the cabinet backboard (1.9). Take the cabinet off the wall.

1.10 – Drill and fit the wall plug into the hole just marked.

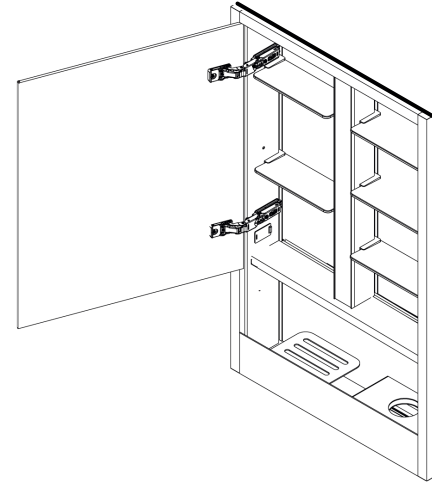


Installation Procedure - Recess

4.6 – Check the cabinet is flush and securely fitted to the wall.

4.7 – We recommend using sealant around the perimeter of the cabinet surround. There may be a small gap between the wall finish and cabinet frame to accommodate this depending on your specific wall construction and fascia finishes.

4.8 – Continue to step 5.



Step 5 - Turning the power on

Important: Before turning the power back on, make sure the cabinet is securely installed and all electrical connections are safe to turn on.

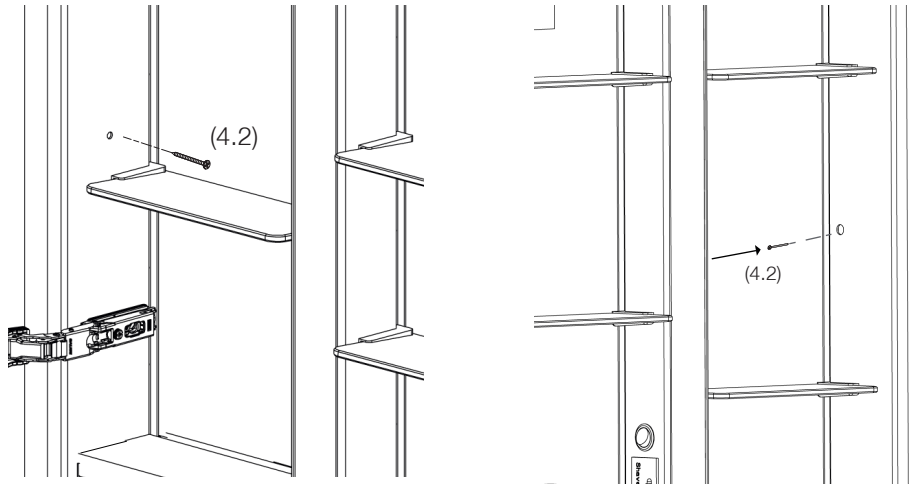
5.1 – If the fuse was removed, re-insert the fuse and switch power on. If circuit breaker was switched off, turn back on.

5.2 - Check the functionality of the cabinet, operating instructions can be found on page 10.

5.3 - Skip to page 9 to view how to install the shelves and adjust the door position.

Installation Procedure - Recess

Step 4 - Installing the cabinet



4.1 – Fit the cabinet into the recess. The cabinet should be able to hold itself within the frame.

4.2 – Screw to stud wall through holes in the sides of the cabinet. There should be 2 screws on each side. (4.2)

Installation Procedure - Surface mount

Step 2 - Connecting to power

Important: Before connecting the cabinet to the mains supply, make sure the electrical supply is switched off. It is recommended that the fuse is withdrawn or the circuit breaker is switched off for the necessary circuit.

2.1 – Connect to mains electrical supply. Connections should be made in accordance with the latest IEE regulations. This cabinet is manufactured to CLASS 1 and requires an earth connection.

Step 3 - Finishing the installation

3.1 – Hang the cabinet on the wall bracket as shown in 1.8. Ensure the wall bracket has entered the slots within the cabinet.

3.2 – Screw in the internal securing screw (3.2).

Step 4 - Turning the power on

Important: Before turning the power back on, make sure the cabinet is securely installed and all electrical connections are safe to turn on.

4.1 – If the fuse was removed, re-insert the fuse and switch power on. If circuit breaker was switched off, turn back on.

4.2 – Check the functionality of the cabinet, operating instructions can be found on page 10.

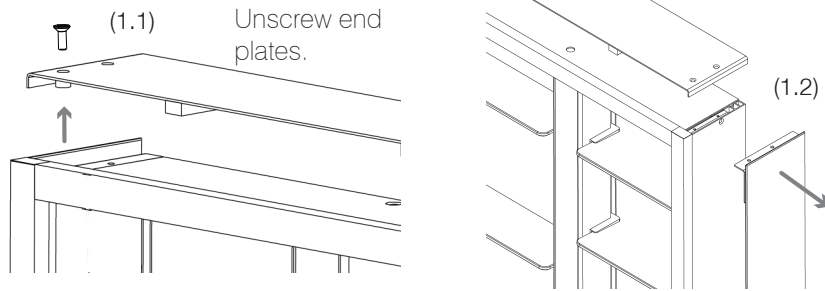
4.3 - Go to page 9 to view how to install the shelves and adjust the door position.

Installation Procedure - Recess

Step 1 - Marking out the recessed area

1.1 – Remove the end plates from top and bottom by unscrewing the corner screws. (1.1)

1.2 – Remove the mirror side plates from each side. (1.2)

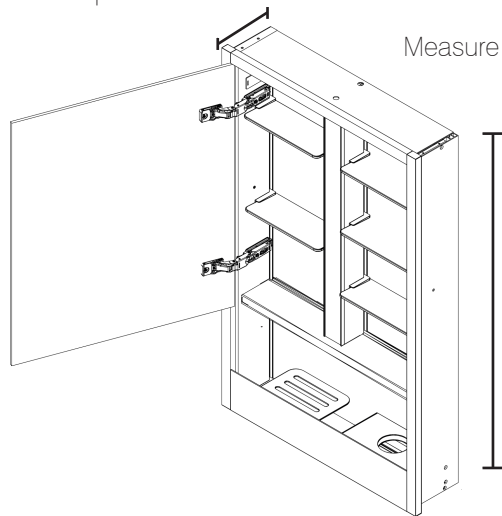


1.3 - Before cutting any recess, measure the appropriate dimensions shown in the below diagram.

Measure the depth of recess

Measure the width of recess

Measure the height of recess

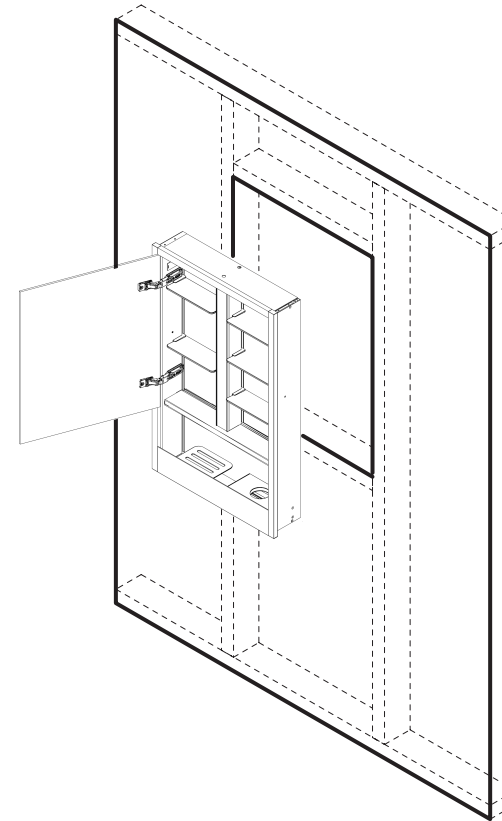


Installation Procedure - Recess

Step 2 - Fabrication of internal framework

2.1 - Construct a framework on the rear of the wall partition as shown below that will securely house the recessed cabinet.

2.2 - Check the fit of the cabinet into the frame ensuring that it fits square and flush within the framework. Remove cabinet once successfully checked.



Step 3 - Connecting to power

Important: Before connecting the cabinet to the mains supply, make sure the electrical supply is switched off. It is recommended that the fuse is withdrawn or the circuit breaker is switched off for the necessary circuit.

3.1 - Connect to mains electrical supply. Connections should be made in accordance with the latest IEE regulations. This cabinet is manufactured to CLASS 1 and requires an earth connection.