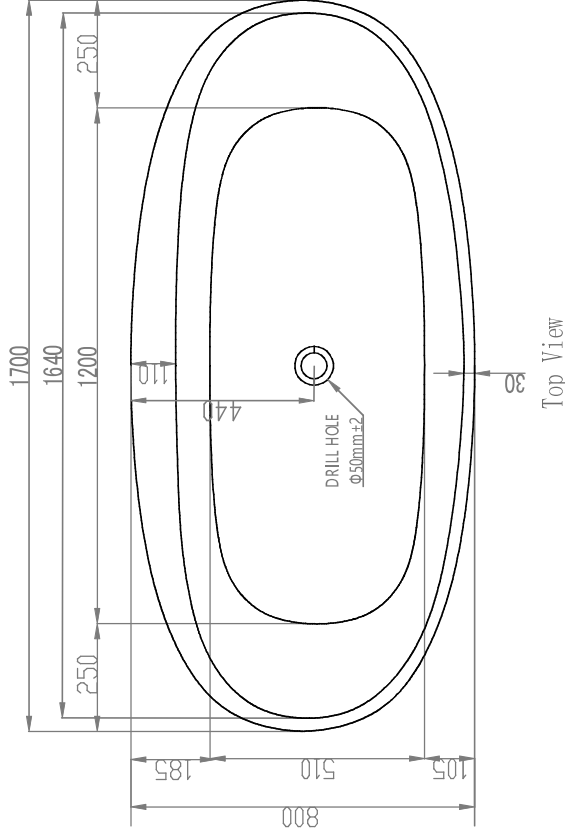
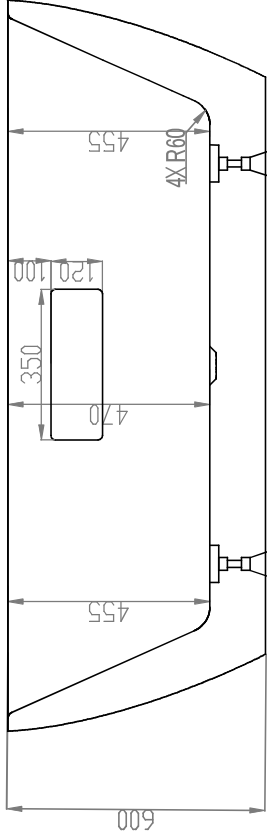


Item No.

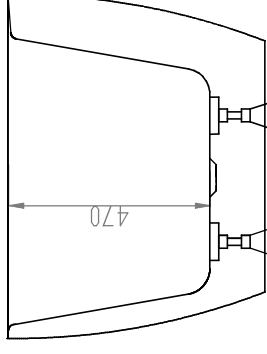
CAPRI-170



Top View



Front View



Side View

Unit:mm

ADAMSEZ

Material

Quantity

Specification

1700*800*600