

Milos 620 x 450mm Towel Rail (Heating Only) MI062045CP



Specification

Finish	Chrome
Dimensions	620(h) x 450(w) x 120(d) mm
Weight	15kg
BTU Output/Hr	679
Watts @ Δ T50°C	199
Bars	3
Pipe Centres	410mm
Electric Element Wattage	–
Face to Face Connections	–
Radiator Columns	–
Material	Mild Steel

All heat outputs are shown at 50°C Δ t in compliance with BSEN442. Watts and Btu's apply to Heating and Dual Fuel only.

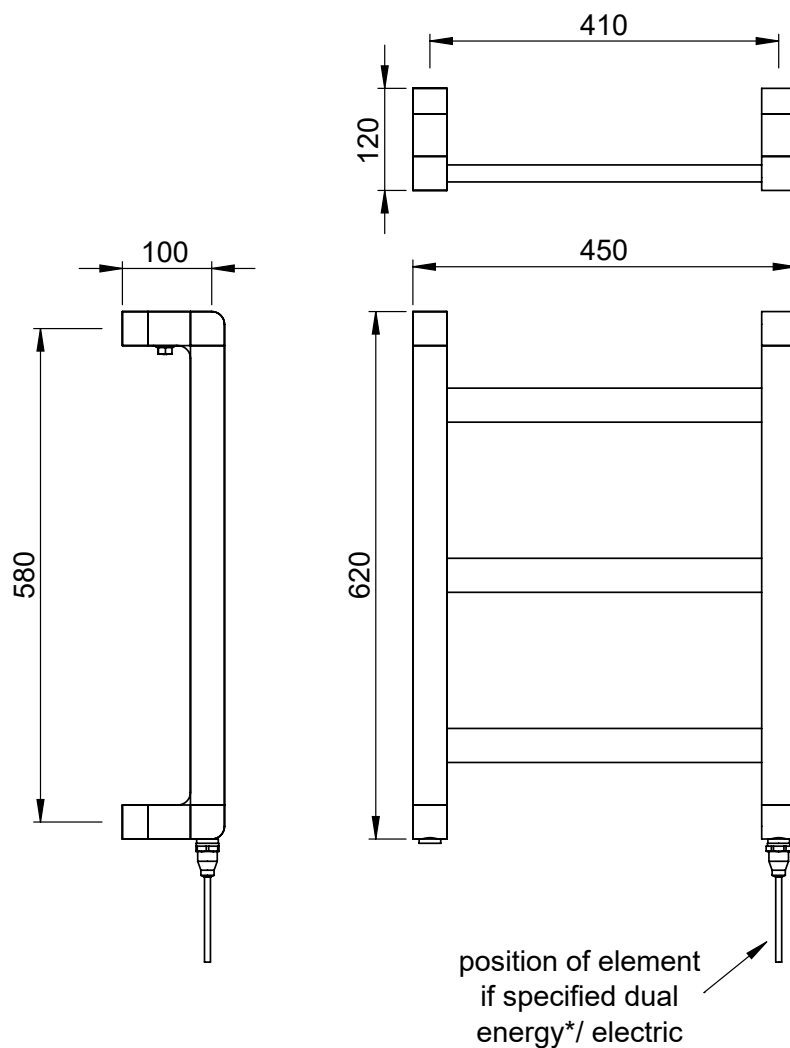
Key Features + Benefits



Certifications + Approvals

Technical Data Sheet | Designer Towel Rails

Milos 620 x 450mm Towel Rail (Heating Only) MI062045CP



*Dual energy models require a conversion-tee, consult relevant drawing for details.