

Milos 620 x 450mm Towel Rail (Electric Only) MIO62045CPE



Specification

| | |
|--------------------------|-----------------------------|
| Finish | Chrome |
| Dimensions | 620(h) x 450(w) x 120(d) mm |
| Weight | 21kg |
| BTU Output/Hr | - |
| Watts @ Δ T50°C | - |
| Bars | 3 |
| Pipe Centres | 410mm |
| Electric Element Wattage | 75 |
| Face to Face Connections | - |
| Radiator Columns | - |
| Material | Mild Steel |

All heat outputs are shown at 50°C Δ t in compliance with BSEN442. Watts and Btu's apply to Heating and Dual Fuel only.

Key Features + Benefits



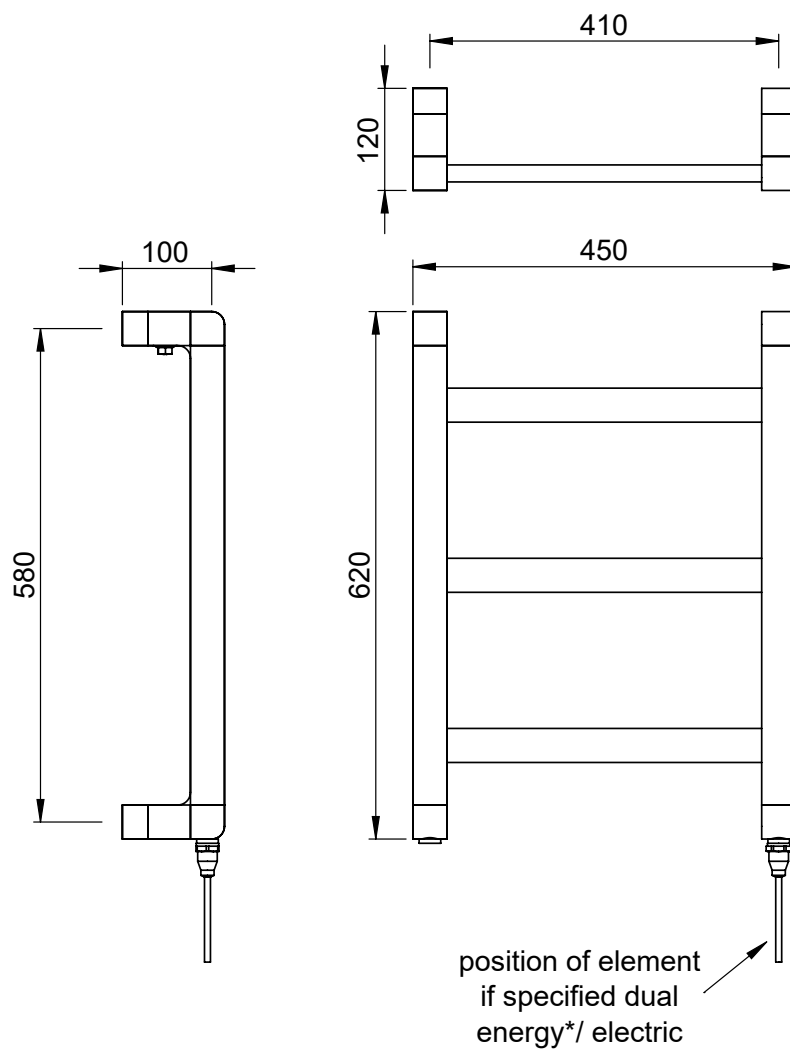
15
Years
Guarantee

MS
Mild
Steel

Certifications + Approvals

Technical Data Sheet | Designer Towel Rails

Milos 620 x 450mm Towel Rail (Electric Only) MIO62045CPE



*Dual energy models require a conversion-tee, consult relevant drawing for details.