

Marsett Aluminium Cabinet

Single + Double Door (With / Without Integrated Charging Socket)



Specification

	INST06058 INST06056* (Single Door)	INST06059 INST06057* (Double Door)
Finish	Aluminium	Aluminium
Dimensions	650(h) x 490(w) x 136(d) mm	650(h) x 650(w) x 136(d) mm
Weight	11.4kg	13.8kg
Surface/Recess Fitting	Surface	Surface
Carcass/Frame Construction Material	Aluminium	Aluminium
Carcass/Frame Finish	Aluminium	Aluminium
Shelves	Two x Adjustable	Two x Adjustable
Door Hinge Handing	Left Hand	-
Glass Thickness	3mm	3mm
Lighting Type	LED	LED
Dimmable	-	-
Colour Changing Technology (CCT)	-	-
Demister Pad	-	-
IP Rating	IP44	IP44
Switch Location	Right Side	Right Side
Infrared Controls	-	-
Charging Socket	Yes (INST06056)	Yes (INST06057)
USB Socket	-	-
Bluetooth	-	-

*With Integrated Charging Socket



Key Features + Benefits



Certifications + Accreditations

Roper Rhodes

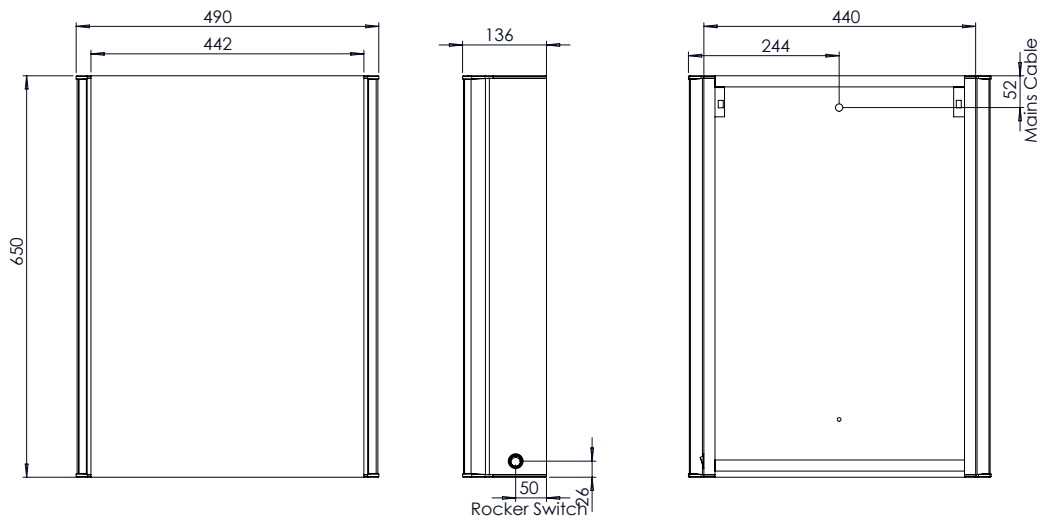
Brassmill Lane Trading Estate, Bath, BA1 3JF. Technical Support – Tel: 01225 303 900 Email: sales@roperrhodes.co.uk

All information on the data sheet is correct at the time of publication. All measurements are approximate and subject to standard tolerances.

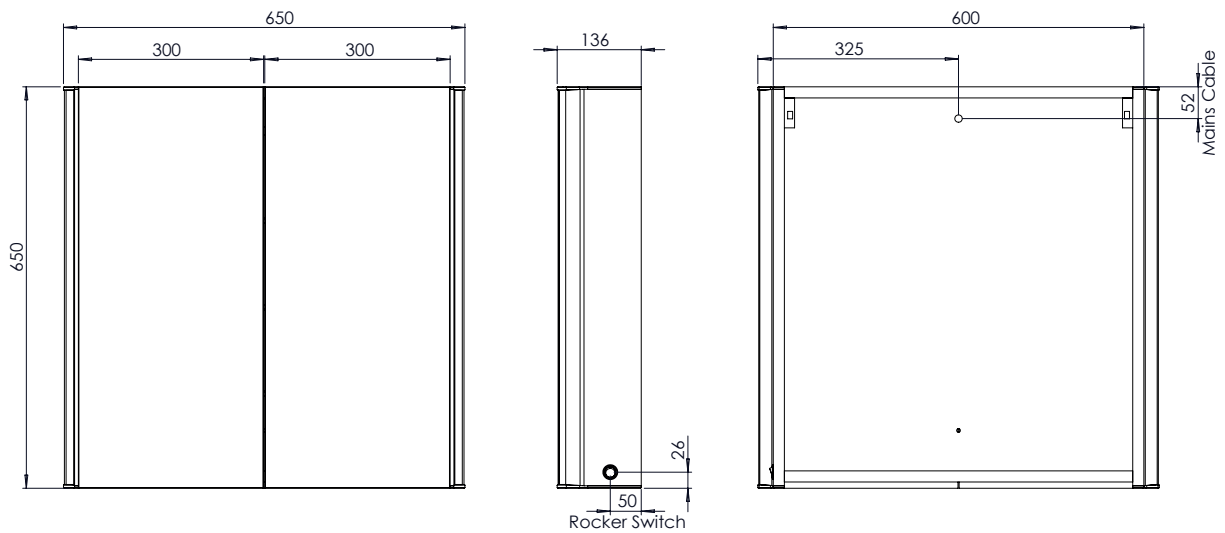
Marsett Aluminium Cabinet

Single + Double Door (With / Without Integrated Charging Socket)

Single Door



Double Door



Roper Rhodes

Brassmill Lane Trading Estate, Bath, BA1 3JF. Technical Support – Tel: 01225 303 900 Email: sales@roperrhodes.co.uk

All information on the data sheet is correct at the time of publication. All measurements are approximate and subject to standard tolerances.