

Malta Thermoset Sandwich, Seat & Cover INST03002

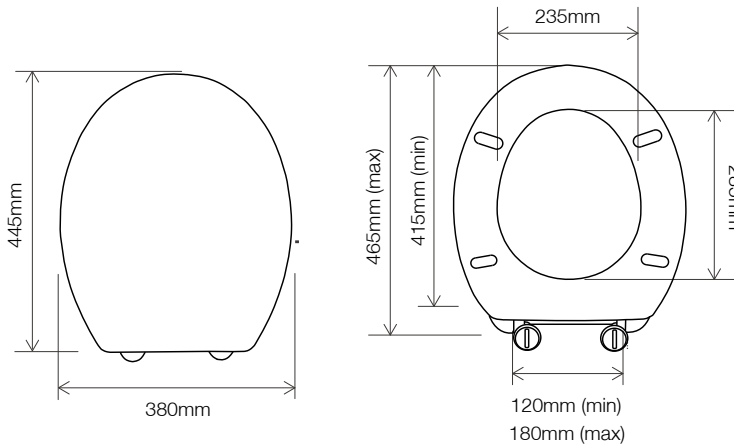


Specification

Finish	White
Dimensions	35(h) x 380(w) x 445(d) mm
Weight	1.9kg
Seat Hinge Material	Stainless steel
Hinge Type	Standard
Hinge Fixing Type	Standard, Underfix
Antibacterial Protection	No
Seat Type	Sandwich
UV Protection	-
Max Load Test	150kg
Seat Material	Thermoset Sandwich

Spares

Hinge Pack	SP13537
Lid Buffer	SP14946
Ring Buffer	SP14945



Extra Dimensions

Seat/Lid Front to Back – 445mm	Seat Overall Thickness – 35mm
Seat/Lid Left to Right – 380mm	Width of Back of Seat – 220mm
Ring Hole Front to Back – 285mm	Min/Max Adjustment for Fixings – 120/180, 415/465mm
Ring Hole Left to Right – 235mm	

Key Features + Benefits

5

Years
Guarantee

Certifications + Approvals

Roper Rhodes

Brassmill Lane Trading Estate, Bath, BA1 3JF. Technical Support – Tel: 01225 303 900 Email: sales@roperrhodes.co.uk

All information on the data sheet is correct at the time of publication. All measurements are approximate and subject to standard tolerances.