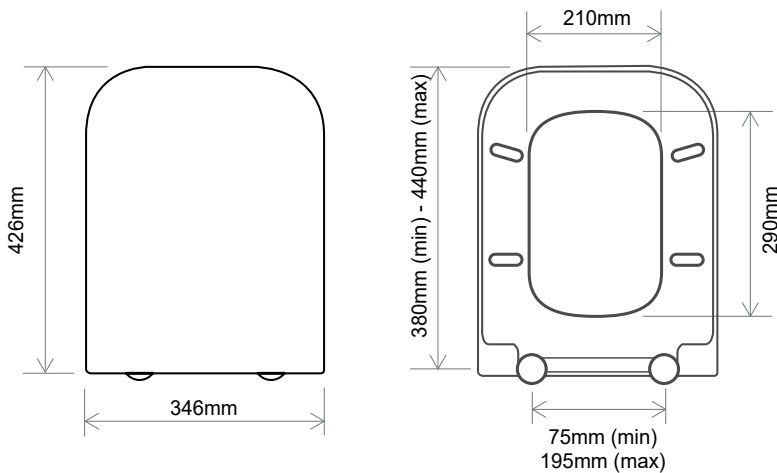


### Malham Quick Release, Soft Close, Wrap-Over Seat + Cover INSTMA003W



#### Specification

Finish	White
Dimensions	47(h) x 345(w) x 425(d) mm
Weight	2.7kg
Seat Hinge Material	Stainless Steel
Antibacterial Protection	No
Seat Type	Wrap-Over
UV Protection	-
Max Load Test	150kg
Seat Material	Thermoset



#### Key Features + Benefits

**5**

Years  
Guarantee



Soft Close  
Seat



Quick Release  
Seat

#### Certifications + Approvals

#### Roper Rhodes

Brassmill Lane Trading Estate, Bath, BA1 3JF. Technical Support – Tel: 01225 303 900 Email: sales@roperrhodes.co.uk

All information on the data sheet is correct at the time of publication. All measurements are approximate and subject to standard tolerances.