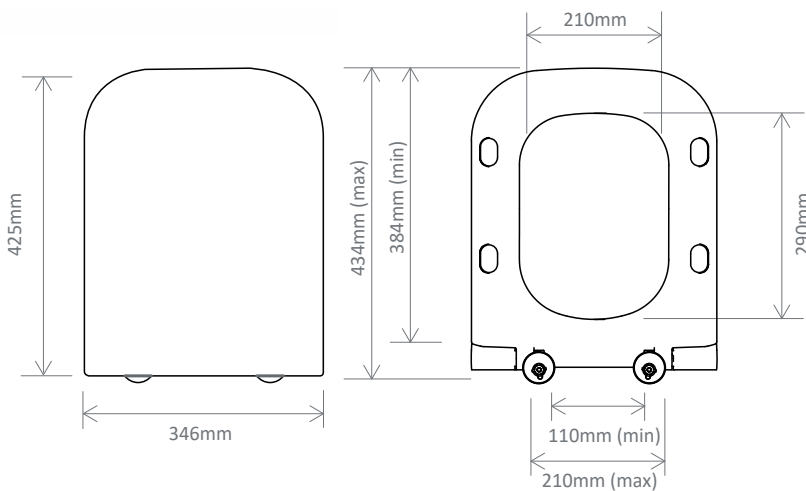


Malham Quick Release, Soft Close, Slim Seat + Cover INSTMA003S



Specification

Finish	White
Dimensions	53(h) x 345(w) x 425(d) mm
Weight	2.4kg
Seat Hinge Material	Stainless Steel
Antibacterial Protection	No
Seat Type	Slim Wrap
UV Protection	-
Max Load Test	150kg
Seat Material	Thermoset



Key Features + Benefits

2

Years
Guarantee



Soft Close
Seat



Quick Release
Seat

Certifications + Approvals

Roper Rhodes

Brassmill Lane Trading Estate, Bath, BA1 3JF. Technical Support – Tel: 01225 303 900 Email: sales@roperrhodes.co.uk

All information on the data sheet is correct at the time of publication. All measurements are approximate and subject to standard tolerances.