

Malham Standard Height Rimless Open Back Close Coupled WC Suite INSTMA001O, INSTMA002, INSTMA003S



Cistern Specification

Close Coupled 6 / 4 Ltr Dual Flush Cistern (INSTMA002)

Finish	White
Dimensions	400(h) x 368(w) x 152(d) mm
Weight	13kg
Cistern Fitting Manufacturer	R&T
Lever	Push button
Lever Position	Cistern lid
Inlet Position (When looking at WC)	Bottom right

Seat Specification

Quick Release Soft Close Slim Seat + Cover (INSTMA003S)


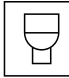



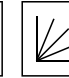
Finish	White
Dimensions	53(h) x 345(w) x 425(d) mm
Weight	2.4kg
Seat Hinge Material	Stainless Steel
Antibacterial Protection	No
Seat Type	Slim Wrap
UV Protection	-
Max Load Test	150kg
Seat Material	Thermoset

Pan Specification

Standard Height Rimless Open Back Close Coupled Pan (INSTMA001O)

Finish	White
Dimensions	420(h) x 340(w) x 635(d) mm
Weight	32kg
Fixing Supplied	Yes
Fixing Exposed or Concealed	Concealed

Key Features + Benefits

20 Years Guarantee on Ceramics	5 Years Guarantee on Seats	2 Years Guarantee on Cistern Components	 Open Back WC Suite	 Close Coupled WC Suite	 Rimless Pan	 6 Ltr / 4 Ltr Dual Flush Volume	 Air Gap Inlet Valve	 Soft Close Seat
--	--------------------------------------	---	---	---	--	--	--	--

Certifications + Approvals

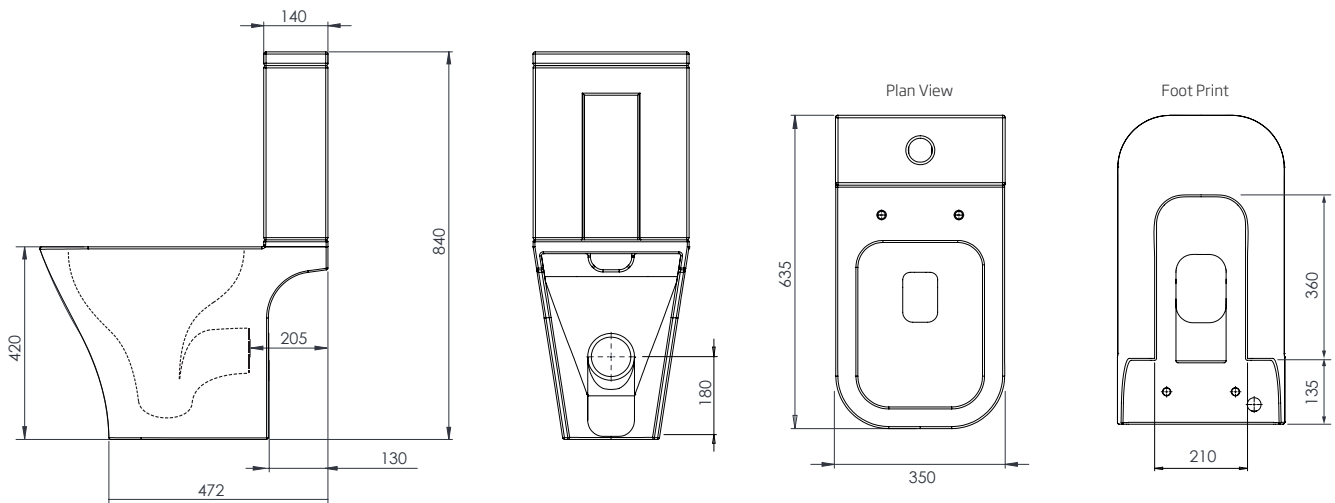
Roper Rhodes

Brassmill Lane Trading Estate, Bath, BA1 3JF. Technical Support – Tel: 01225 303 900 Email: sales@roperrhodes.co.uk

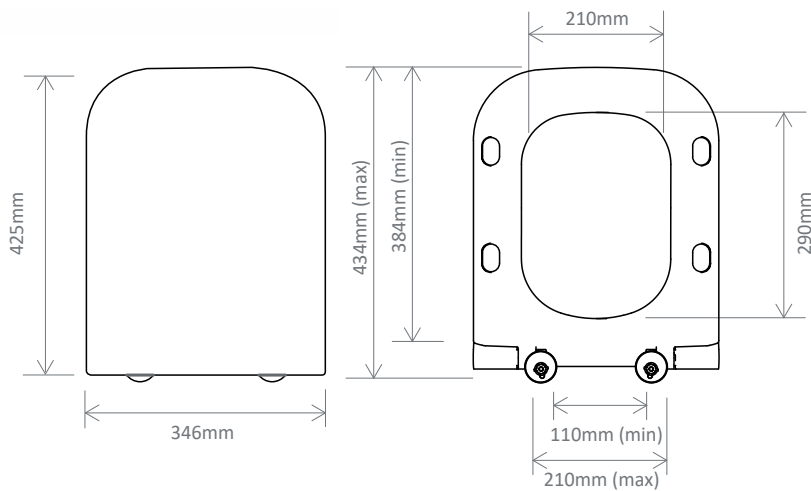
All information on the data sheet is correct at the time of publication. All measurements are approximate and subject to standard tolerances.

Malham Standard Height Rimless Open Back Close Coupled WC Suite INSTMA001O, INSTMA002, INSTMA003S

Pan (INSTMA001O) + Cistern (INSTMA002)



Seat (INSTMA003S)



Spares

Floor Fixing Kit SP14211

Malham Standard Height Rimless Open Back Close Coupled WC Suite INSTMA001O, INSTMA002, INSTMA003S

FAQs

Q – Where is the inlet valve?

A – Bottom inlet, back right of the pan.

Q – What is the flush volume?

A – 6/4L.

Q – Can this pan be used with a side connection outlet pipe?

A – Yes.

Q – Are there any other compatible seats?

A – Yes, INSTMA003W for a wrap-over seat option.