

Lissett 475mm Semi Countertop Standard Depth One Taphole Basin INST02040



Specification

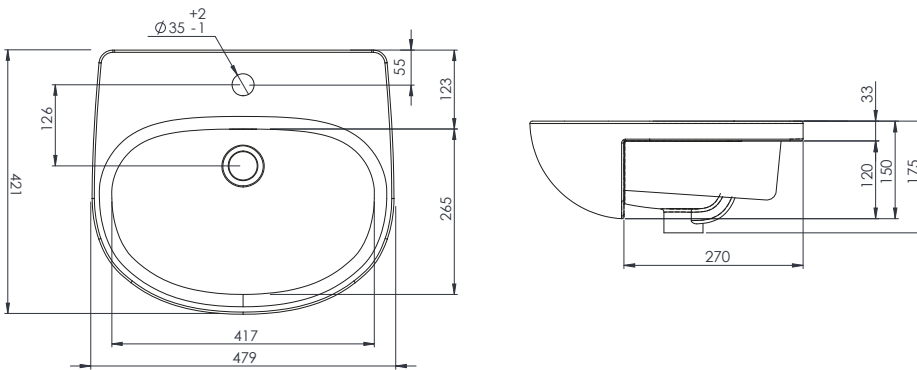
Finish	White
Dimensions	175(h) x 479(w) x 421(d) mm
Weight	12.4kg
Basin Material	Ceramic
Overflow	Yes
Chainstay Hole	No
Taphole Positioning	Centre

Spares

Loft Standard Depth Template	SP18926
Loft Overflow Cover	SP19739

FAQs

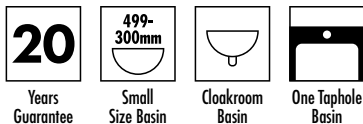
Please see next page



Extra Dimensions

Internal Bowl Depth – 125mm
 Internal Bowl Front to Back – 265mm
 Internal Bowl Left to Right – 417mm
 Tap Ledge – 123mm
 Taphole Centre to Waste Centre – 126mm
 Taphole Centre to Back of Basin – 55mm
 Waste Centre to Back of Basin – 181mm
 Height of Basin – 175mm
 Basin Overhang – 150mm

Key Features + Benefits



Certifications + Approvals

Roper Rhodes

Brassmill Lane Trading Estate, Bath, BA1 3JF. Technical Support – Tel: 01225 303 900 Email: sales@roperrhodes.co.uk

All information on the data sheet is correct at the time of publication. All measurements are approximate and subject to standard tolerances.

Lissett 475mm Semi Countertop Standard Depth One Taphole Basin INST02040

FAQs

Q – Is a fitting template supplied?

A – Yes. Questions on cutting dimensions can be found on the template.

Q – How is the basin fixed to the furniture?

A – Fix to workspace with silicone as per instructions supplied.