

### Lisett 475mm Semi Countertop Slim Depth One Taphole Basin INST02039



#### Specification

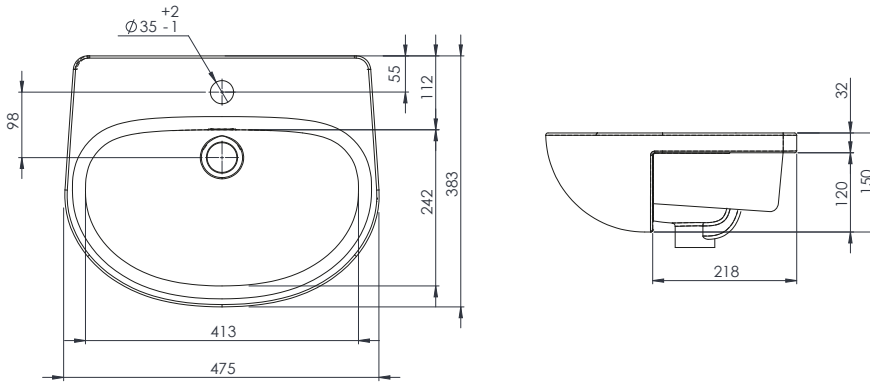
Finish	White
Dimensions	150(h) x 475(w) x 383(d) mm
Weight	11.7kg
Basin Material	Ceramic
Overflow	Yes
Chainstay Hole	No
Taphole Positioning	Centre

#### Spares

Loft Slim Depth Template	SP18925
Loft Overflow Cover	SP19739

#### FAQs

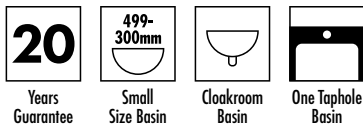
Please see next page



#### Extra Dimensions

Internal Bowl Depth – 125mm	Taphole Centre to Back of Basin – 55mm
Internal Bowl Front to Back – 242mm	Waste Centre to Back of Basin – 153mm
Internal Bowl Left to Right – 413mm	Height of Basin – 175mm
Tap Ledge – 112mm	Basin Overhang – 160mm
Taphole Centre to Waste Centre – 98mm	

#### Key Features + Benefits



#### Certifications + Approvals

#### Roper Rhodes

Brassmill Lane Trading Estate, Bath, BA1 3JF. Technical Support – Tel: 01225 303 900 Email: sales@roperrhodes.co.uk

All information on the data sheet is correct at the time of publication. All measurements are approximate and subject to standard tolerances.

### Lisett 475mm Semi Countertop Slim Depth One Taphole Basin INST02039

---

#### FAQs

**Q – Is a fitting template supplied?**

A – Yes. Questions on cutting dimensions can be found on the template.

**Q – How is the basin fixed to the furniture?**

A – Fix to workspace with silicone as per instructions supplied.