

Lissett Short Projection Rimless Wall Hung Pan INSTO2033, INSTO2035



Seat Specification

Quick Release (Lift Off), Soft Close, Wrap-Over, Seat & Cover (INSTO2035)

Finish	White
Dimensions	49(h) x 369(w) x 418(d) mm
Weight	2kg
Seat Hinge Material	Stainless Steel
Antibacterial Protection	No
Seat Type	Slim Wrap
UV Protection	-
Max Load Test	150kg
Seat Material	Thermoset

Pan Specification

Short Projection Rimless Wall Hung Pan (INSTO1035)

Finish	White
Dimensions	355(h) x 370(w) x 490(d) mm
Weight	20kg
Fixing Supplied	Yes
Fixing Exposed or Concealed	Concealed


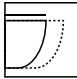
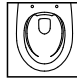
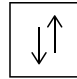
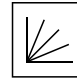
Spares

Wall Hung Pan	SP19725
Concealed Fixing Kit	

FAQs

Please see next page

Key Features + Benefits

20	5					
Years Guarantee on Ceramics	Years Guarantee on Seats	Wall Hung Pan	Short Projection Pan	Rimless Pan	Quick Release Seat	Soft Close Seat

Certifications + Approvals

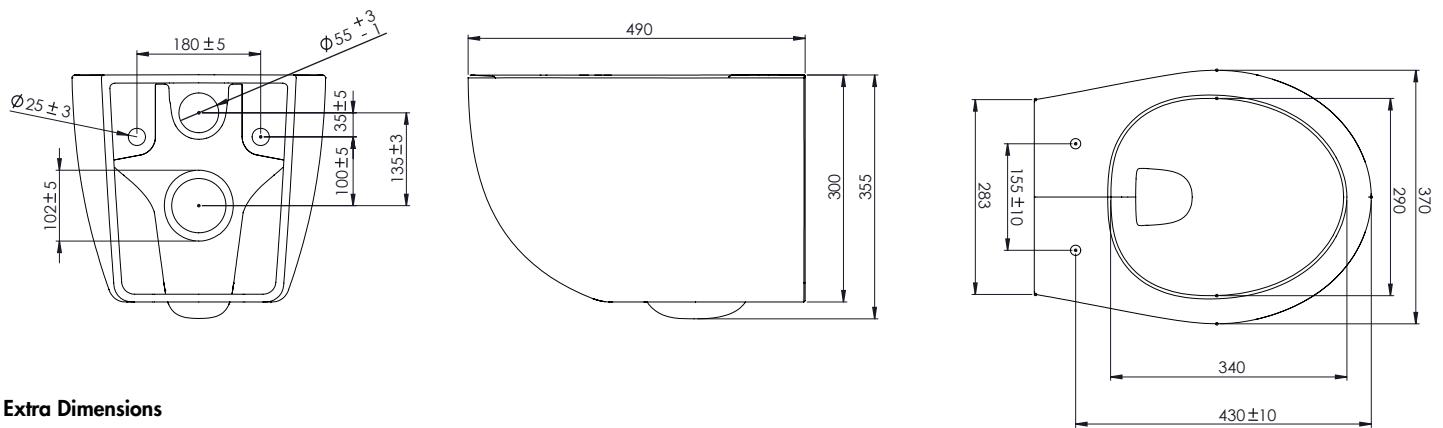
Roper Rhodes

Brassmill Lane Trading Estate, Bath, BA1 3JF. Technical Support – Tel: 01225 303 900 Email: sales@roperrhodes.co.uk

All information on the data sheet is correct at the time of publication. All measurements are approximate and subject to standard tolerances.

Lissett Short Projection Rimless Wall Hung Pan INSTO2033, INSTO2035

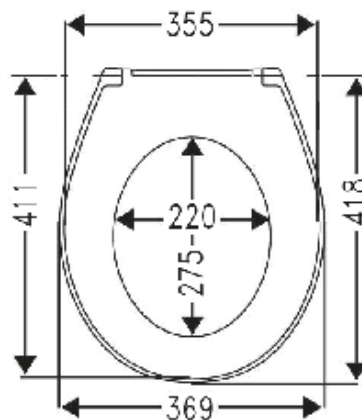
Pan (INSTO2033)



Extra Dimensions

Front to Back Footprint – 285mm
 Left to Right Footprint – 209mm
 Bowl Front to Back – 340mm
 Bowl Left to Right – 290mm
 Pan Height – 355mm
 Pan Overall Front to Back – 490mm
 Width of Void – 180mm
 Is there a Ceramic Brace Bar – No
 Distance from Spigot to back of Pan – 17mm

Seat (INSTO2035)



Extra Dimensions

Seat/Lid Front to Back – 418mm
 Seat/Lid Left to Right – 369mm
 Ring Hole Front to Back – 275mm
 Ring Hole Left to Right – 213mm
 Seat Overall Thickness – 49mm
 Width of Back of Seat – 300mm

Roper Rhodes

Brassmill Lane Trading Estate, Bath, BA1 3JF. Technical Support – Tel: 01225 303 900 Email: sales@roperrhodes.co.uk

All information on the data sheet is correct at the time of publication. All measurements are approximate and subject to standard tolerances.

Lissett Short Projection Rimless Wall Hung Pan INST02033, INST02035

FAQs

Q – What is the flush volume?

A – 6/4L.

Q – Rim type?

A – Rimless.

Q – What's the maximum test load of the seat?

A – 1.50kg.

Q – What are the fixings made from?

A – Stainless Steel Cover Plates/Screws, Nylon Anchor Plates, Rubber Washers, Rubber Fixing Plugs.