

Lissett Standard Height Short Projection Rimless Back To Wall Pan INSTO2032, INSTO2035



Seat Specification

Quick Release (Lift Off), Soft Close, Wrap-Over, Seat & Cover (INSTO2035)

Finish	White
Dimensions	49(h) x 369(w) x 418(d) mm
Weight	2kg
Seat Hinge Material	Stainless Steel
Antibacterial Protection	No
Seat Type	Slim Wrap
UV Protection	-
Max Load Test	150kg
Seat Material	Thermoset

Pan Specification

Standard Height Rimless Back To Wall Pan (INSTO1032)

Finish	White
Dimensions	410(h) x 370(w) x 490(d) mm
Weight	25kg
Fixing Supplied	Yes
Fixing Exposed or Concealed	Concealed

Spares

Floor Fixings	SP14211
---------------	---------

FAQs

Please see next page

Key Features + Benefits

20	5					
Years Guarantee on Ceramics	Years Guarantee on Seats	Back To Wall Pan	Short Projection Pan	Rimless Pan	Quick Release Seat	Soft Close Seat

Certifications + Approvals

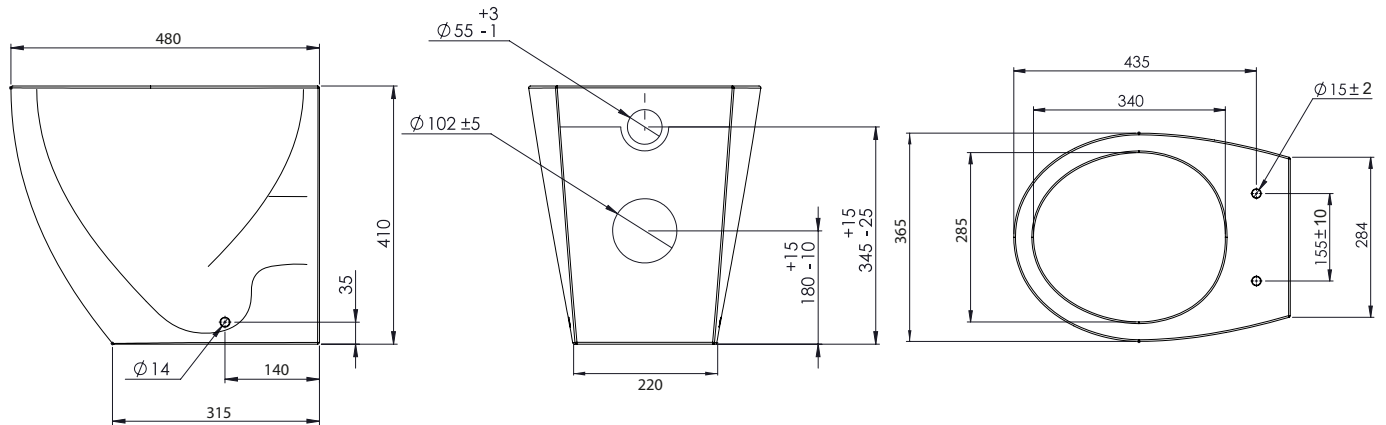
Roper Rhodes

Brassmill Lane Trading Estate, Bath, BA1 3JF. Technical Support – Tel: 01225 303 900 Email: sales@roperrhodes.co.uk

All information on the data sheet is correct at the time of publication. All measurements are approximate and subject to standard tolerances.

Lissett Standard Height Short Projection Rimless Back To Wall Pan INST02032, INST02035

Pan (INST02032)

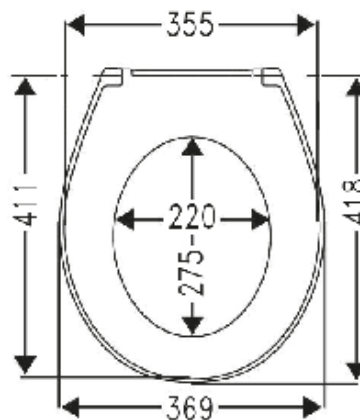


Extra Dimensions

Front to Back Footprint – 315mm
Left to Right Footprint – 220mm
Bowl Front to Back – 340mm
Bowl Left to Right – 285mm
Pan Height – 410mm
Pan Overall Front to Back – 480mm

Centre Flush Inlet to Floor – 345mm
Centre Waste Outlet to Floor – 180mm
Width of Void – 180mm
Is there a Ceramic Brace Bar – No
Distance from Spigot to back of Pan – 150mm

Seat (INST02035)



Extra Dimensions

Seat/Lid Front to Back – 418mm
Seat/Lid Left to Right – 369mm
Ring Hole Front to Back – 275mm
Ring Hole Left to Right – 213mm
Seat Overall Thickness – 49mm
Width of Back of Seat – 300mm

Roper Rhodes

Brassmill Lane Trading Estate, Bath, BA1 3JF. Technical Support – Tel: 01225 303 900 Email: sales@roperrhodes.co.uk

All information on the data sheet is correct at the time of publication. All measurements are approximate and subject to standard tolerances.

Lissett Standard Height Short Projection Rimless Back To Wall Pan INST02032, INST02035

FAQs

Q – Which concealed cistern do I use?

A – INST13001 (Bottom Entry) or INST13002 (Side Entry), depending on whether the water feed is bottom or side access.
An In-Wall cistern (INST13009) is available for tiled-in installations.

Q – Rim type?

A – Rimless.

Q – What's the maximum test load of the seat?

A – 150kg.

Q – What are the fixings made from?

A – Stainless Steel Cover Plates/Screws, Nylon Anchor Plates, Rubber Washers, Rubber Fixing Plugs.