

Lissett Standard Height Rimless Closed Back Close Coupled WC Suite INST02031, INST02034, INST02035



Cistern Specification

Close Coupled Dual Flush Cistern
(INST02034)

Finish	White
Dimensions	395(h) x 300(w) x 149(d) mm
Weight	11.2kg
Cistern Fitting Manufacturer	R&T
Lever	Push button
Lever Position	Cistern lid
Inlet Position (When looking at WC)	Bottom right

Seat Specification

Quick Release (Lift Off), Soft Close, Wrap-Over
Seat & Cover
(INST01035)

Finish	White
Dimensions	49(h) x 369(w) x 418(d) mm
Weight	2kg
Seat Hinge Material	Stainless Steel
Antibacterial Protection	No
Seat Type	Slim Wrap
UV Protection	-
Max Load Test	150kg
Seat Material	Thermoset

Pan Specification

Standard Height Rimless Closed Back Close Coupled Pan
(INST01031)

Finish	White
Dimensions	410(h) x 370(w) x 640(d) mm
Weight	31kg
Fixing Supplied	Yes
Fixing Exposed or Concealed	Concealed

Spares

Please see next page

FAQs

Please see next page

Key Features + Benefits

20	5	2							
Years Guarantee on Ceramics	Years Guarantee on Seats	Years Guarantee on Cistern Components	Closed Back WC Suite	Close Coupled WC Suite	Rimless Pan	Dual Flush Volume	Air Gap Inlet Valve	Quick Release Hinges	Soft Close Seat

Certifications + Approvals

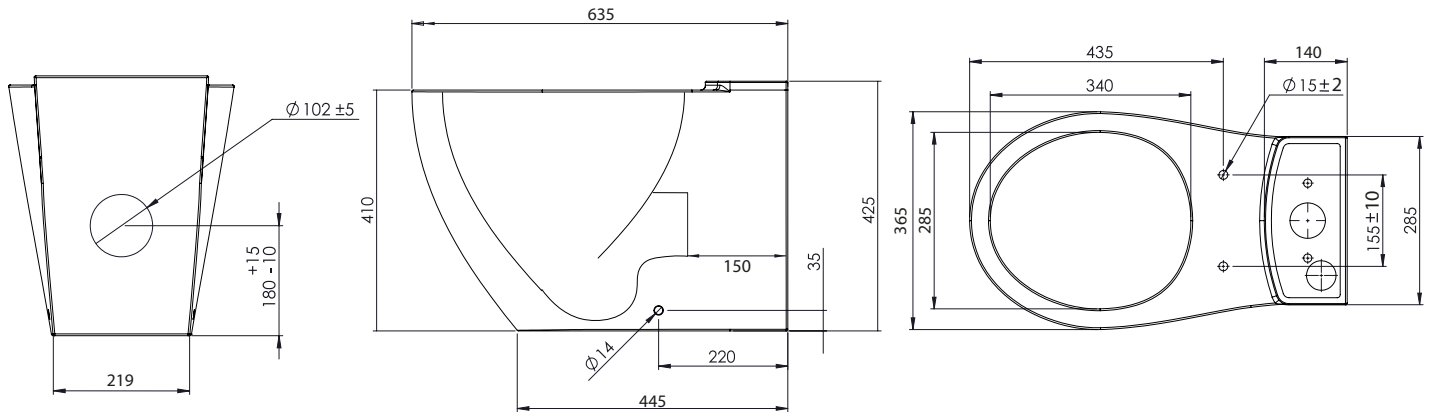
Roper Rhodes

Brassmill Lane Trading Estate, Bath, BA1 3JF. Technical Support – Tel: 01225 303 900 Email: sales@roperrhodes.co.uk

All information on the data sheet is correct at the time of publication. All measurements are approximate and subject to standard tolerances.

Lissett Standard Height Rimless Closed Back Close Coupled WC Suite INST02031, INST02034, INST02035

Pan (INST01031) + Cistern (INST01034)

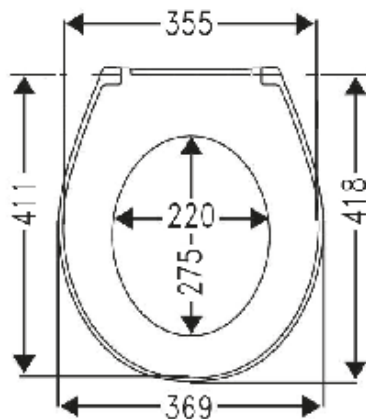


Extra Dimensions

Front to Back Footprint – 445mm
Left to Right Footprint – 219mm
Bowl Front to Back – 340mm
Bowl Left to Right – 285mm
Pan Height – 410mm
Pan Overall Front to Back – 635mm

Centre Waste Outlet to Floor – 180mm
Width of Void – 180mm
Is there a Ceramic Brace Bar – No
Distance from Spigot to back of Pan – 150mm

Seat (INST02035)



Extra Dimensions

Seat/Lid Front to Back – 418mm
Seat/Lid Left to Right – 369mm
Ring Hole Front to Back – 275mm
Ring Hole Left to Right – 213mm
Seat Overall Thickness – 49mm
Width of Back of Seat – 300mm

Spares

Floor Fixing Kit	SP14211
Flush Valve with Telescopic Overflow (A24232)	INST02043
Rubber Flap Seal (For A24232 Flush Valve)	SP19617
Air Gap Inlet Valve (Tall)	SP19528
Rubber Diaphragm (Air Gap Inlet Valve)	SP19616
Close Coupled Rubber Doughnut Washer	SP19540
Brass Tank Fixing Bolt Set (With M6*80mm Bolts)	SP19542
Chrome Flush Button (Ø48mm Hole)	SP19534
Black Flush Button (Ø48mm Hole)	INST02037
Brushed Brass Flush Button (Ø48mm Hole)	INST02045

Roper Rhodes

Brassmill Lane Trading Estate, Bath, BA1 3JF. Technical Support – Tel: 01225 303 900 Email: sales@roperrhodes.co.uk

All information on the data sheet is correct at the time of publication. All measurements are approximate and subject to standard tolerances.

Lissett Standard Height Rimless Closed Back Close Coupled WC Suite INST02031, INST02034, INST02035

FAQs

Q – Where is the inlet valve?

A – Bottom inlet, back right of the pan.

Q – What is the flush volume?

A – 5/3L.

Q – Is this WC rimless or box rim?

A – Rimless.

Q – Does it have an airgap?

A – Yes.

Q – What's the maximum test load of the seat?

A – 150kg.

Q – What are the fixings made from?

A – Stainless Steel Cover Plates/Screws, Stainless Steel Anchor Plates, Rubber Washers, Rubber Fixing Plugs.