

Linear Thermoset, Square, Wrap-Over, Soft Close, Seat & Cover INST03016



Specification

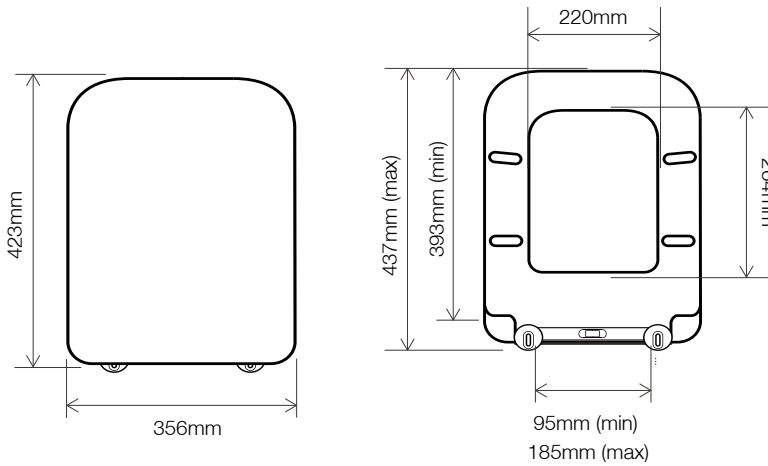
Finish	White
Dimensions	44(h) x 356(w) x 423(d) mm
Weight	2.3kg
Seat Hinge Material	Reinforced nylon base plates with stainless steel cover caps
Hinge Type	Soft close
Hinge Fixing Type	Quick release, Top Fix
Antibacterial Protection	No
Seat Type	Wrap Over
UV Protection	-
Max Load Test	150kg
Seat Material	Thermoset

Spares

Top Fixing Kit (Inc. Hinge Anchors)	SP14939
Black Rubber Top Fix Inserts and Screws only	SP12553

FAQs

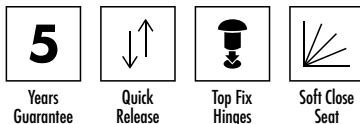
Please see next page



Extra Dimensions

Seat/Lid Front to Back – 423mm
 Seat/Lid Left to Right – 356mm
 Ring Hole Front to Back – 264mm
 Ring Hole Left to Right – 220mm
 Seat Overall Thickness – 51 mm
 Min/Max Adjustment for Fixings – 95/185, 393/437mm

Key Features + Benefits



Certifications + Approvals

Roper Rhodes

Brassmill Lane Trading Estate, Bath, BA1 3JF. Technical Support – Tel: 01225 303 900 Email: sales@roperrhodes.co.uk

All information on the data sheet is correct at the time of publication. All measurements are approximate and subject to standard tolerances.

Linear Thermoset, Square, Wrap-Over, Soft Close, Seat & Cover INST03016

FAQs

Q – What's the maximum test load of the seat?

A – 150kg.

Q – What are the fixings made from?

A – Reinforced nylon base plates with stainless steel cover caps.