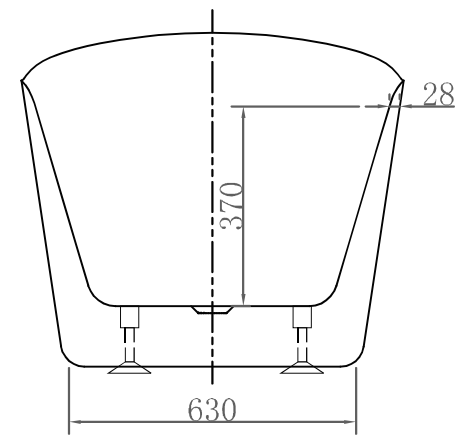
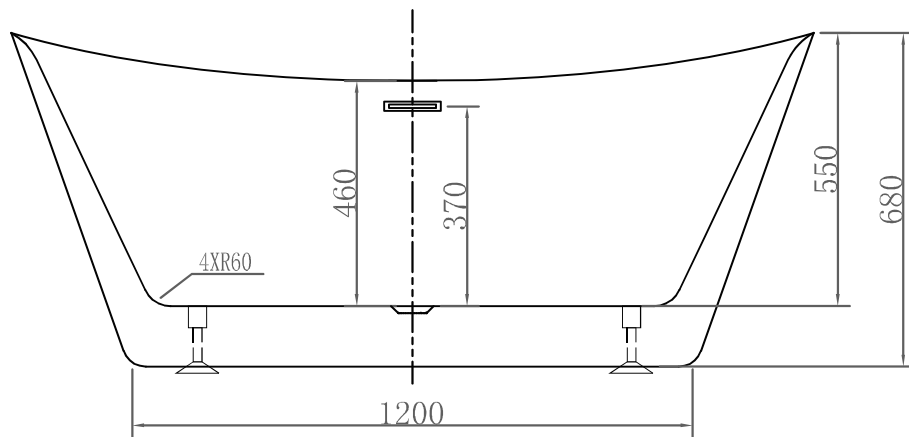
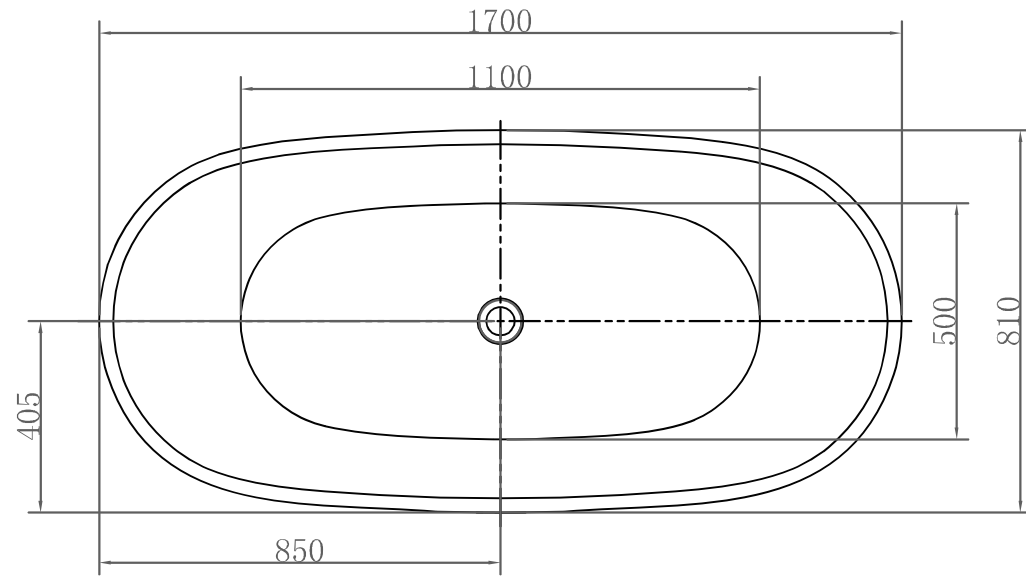


Item : Vana\_FVDEG/WH



Unit:mm

ADAMSEZ

Material

Quantity

Number

specification

1700\*810\*680