

Laidon Single Outlet Thermostatic Shower Valve + Kit INST-13006P



Specification

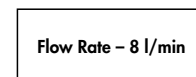
Finish	Chrome
Dimensions	600(h) x 263(w) mm
Weight	2.7kg
Body Material	Brass
Hose Material	Stainless Steel
Hose Length	1500mm
Hose Connection	Nut / Cone
Hose Bore	8mm
Overhead	-
Overhead Material	-
Overhead Size	-
Shower Arm Length	-
Handset Material	ABS
Handset Functions	Single Function
Handset Rub Clean	Yes
Valve Inlet Centres	150mm
Valve Connection	15mm
Valve Handle Material	ABS
Min Operating Pressure	0.5 Bar
Max Operating Pressure	5 Bar
Max Static Pressure	5 Bar
Max Operating Temperature	85°C
Thermostatic Safety Stop Setting	38°C
Flow Restrictor	No

Flow Rates

Pressure	0.2	0.5	1	3
L/min	-	8	10.5	19

All Pressures in Bar. All flow in L/Min. Dimensions supplied are nominal and subject to tolerance. Inclusion or restrictors (sold separately unless stated) will affect flow rate result. Performance details are based on trials under test conditions and for guidance only. The Company reserves the right to change product specification without prior notice.

Certifications + Approvals



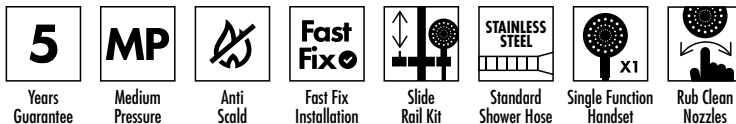
Tested at 0.5 Bar

Valve Only



Valve Only

Key Features + Benefits

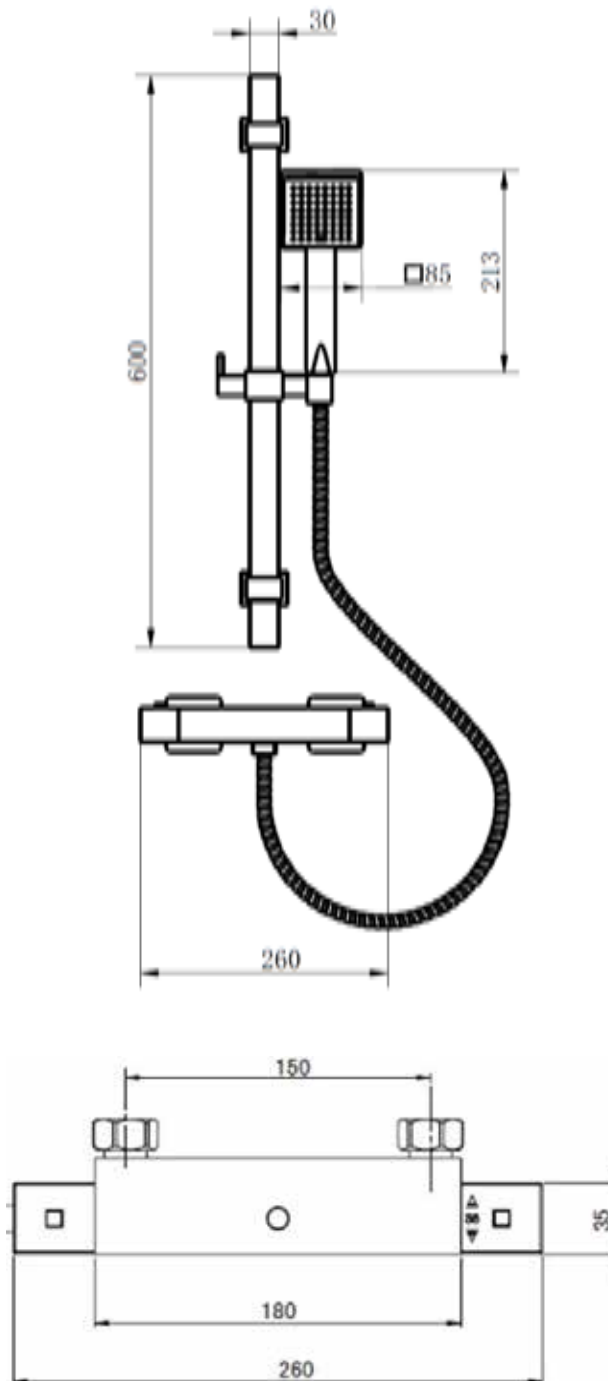


Highlife Bathrooms

Kelvin Industrial Estate, Unit A, 1 Young Place, East Kilbride, Glasgow G75 0TD. Technical Support – Tel: 01355 241111 Email: sales@highlifebathrooms.com

All information on the data sheet is correct at the time of publication. All measurements are approximate and subject to standard tolerances.

Laidon Single Outlet Thermostatic Shower Valve + Kit INST-13006P



Highlife Bathrooms

Kelvin Industrial Estate, Unit A, 1 Young Place, East Kilbride, Glasgow G75 0TD. Technical Support – Tel: 01355 241111 Email: sales@highlifebathrooms.com

All information on the data sheet is correct at the time of publication. All measurements are approximate and subject to standard tolerances.