

Kiso 800 x 750mm Towel Rail (Dual Fuel) TO0800750PS-HE



Specification

Finish	Polished Stainless Steel
Dimensions	800(h) x 750(w) x 100(d) mm
Weight	8kg
BTU Output/Hr	1805
Watts @ $\Delta T50^{\circ}C$	529
Bars	3-4-5
Pipe Centres	718mm
Electric Element Wattage	200
Face to Face Connections	-
Air Vent Position	-
Material	Stainless Steel

All heat outputs are shown at $50^{\circ}C \Delta t$ in compliance with BSEN442. Watts and Btu's apply to Heating and Dual Fuel only.

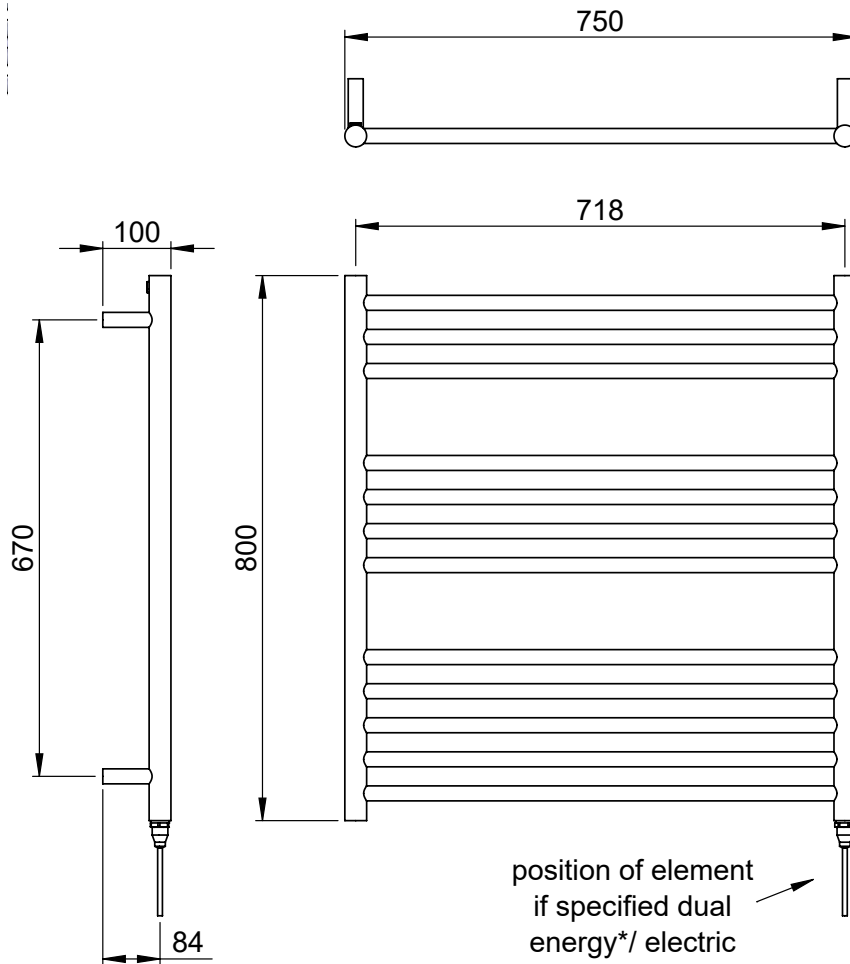
Key Features + Benefits



Certifications + Approvals

Technical Data Sheet | Designer Towel Rails

Kiso 800 x 750mm Towel Rail (Dual Fuel) TO0800750PS-HE



*Dual energy models require a conversion-tee, consult relevant drawing for details.