

Kiso Square Handrinse 450mm One Taphole Cloakroom Basin (Full Pedestal)

INSNU014, INSNU009



Basin Specification

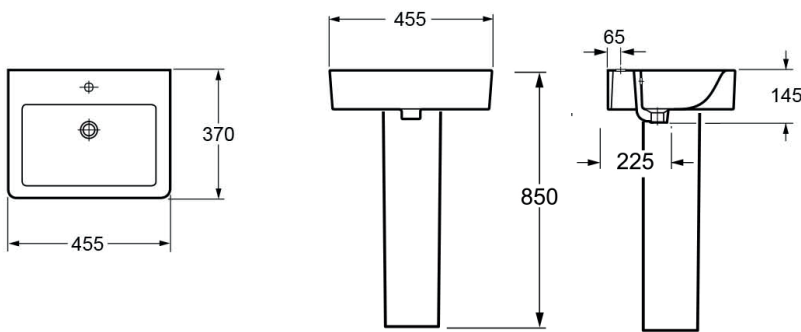
530mm One Taphole Basin
(INSNU014)

Finish	White
Dimensions	145(h) x 455(w) x 370(d) mm
Weight	12.5kg
Basin Material	Ceramic
Overflow	Yes
Chainstay Hole	No
Taphole Positioning	Centre
Tap	Not Included

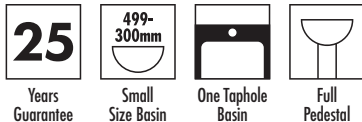
Pedestal Specification

Full Pedestal
(INSNU009)

Finish	White
Dimensions	730(h) x 180(w) x 190(d) mm
Weight	15kg
Pedestal Material	Ceramic



Key Features + Benefits



Certifications + Approvals

Imex Ceramics

15 Millbrook Industrial Estate, Sybron Way, Crowborough TN6 3DU. Technical Support – Tel: 01530 835598 Email: sales@imexceramic.co.uk

All information on the data sheet is correct at the time of publication. All measurements are approximate and subject to standard tolerances.