

### Kiso Round 500mm One Taphole Basin (Full Pedestal)

INSDE007, INSDE009



#### Basin Specification

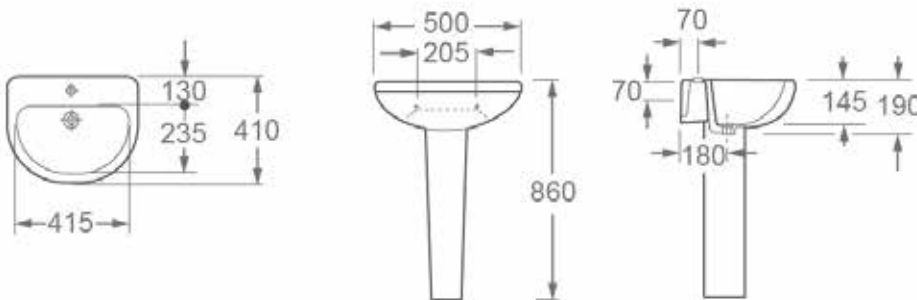
500mm One Taphole Basin  
(INSDE007)

Finish	White
Dimensions	145(h) x 500(w) x 410(d) mm
Weight	14.5kg
Basin Material	Ceramic
Overflow	Yes
Chainstay Hole	No
Taphole Positioning	Centre
Tap	Not Included

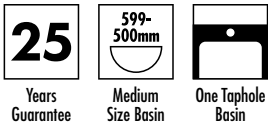
#### Pedestal Specification

Full Pedestal  
(INSDE009)

Finish	White
Dimensions	690(h) x 160(w) x 170(d) mm
Weight	11kg
Pedestal Material	Ceramic



#### Key Features + Benefits



#### Certifications + Approvals

#### Imex Ceramics

15 Millbrook Industrial Estate, Sybron Way, Crowborough TN6 3DU. Technical Support – Tel: 01530 835598 Email: sales@imexceramic.co.uk

All information on the data sheet is correct at the time of publication. All measurements are approximate and subject to standard tolerances.