

Kiso Round 500mm Two Taphole Basin (Full Pedestal)

INSDE007A, INSDE009



Basin Specification

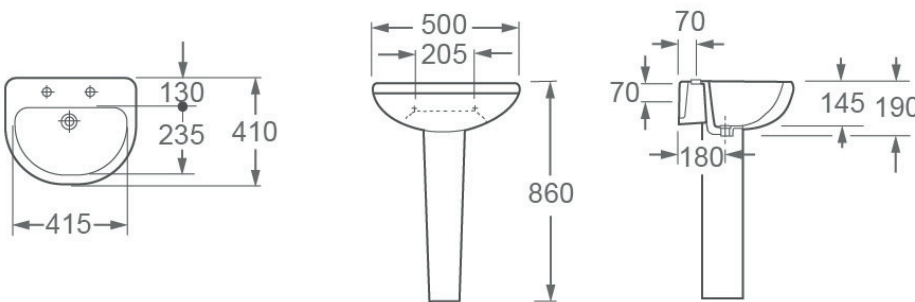
500mm Two Taphole Basin
(INSDE007A)

Finish	White
Dimensions	190(h) x 500(w) x 410(d) mm
Weight	14.5kg
Basin Material	Ceramic
Overflow	Yes
Chainstay Hole	No
Taphole Positioning	Equally off centre
Tap	Not Included

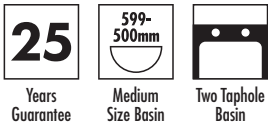
Pedestal Specification

Full Pedestal
(INSDE009)

Finish	White
Dimensions	690(h) x 160(w) x 170(d) mm
Weight	11kg
Pedestal Material	Ceramic



Key Features + Benefits



Certifications + Approvals

Imex Ceramics

15 Millbrook Industrial Estate, Sybron Way, Crowborough TN6 3DU. Technical Support – Tel: 01530 835598 Email: sales@imexceramic.co.uk

All information on the data sheet is correct at the time of publication. All measurements are approximate and subject to standard tolerances.