

Kinsley 1200 x 500mm Towel Rail (Heating Only) KIN1200500CP



Specification

| | |
|--------------------------|-----------------------------|
| Finish | Chrome / White |
| Dimensions | 1200(h) x 500(w) x 93(d) mm |
| Weight | 14kg |
| BTU Output/Hr | 2846 |
| Watts @ Δ T50°C | 834 |
| Bars | 3-3-3 |
| Pipe Centres | 464mm |
| Electric Element Wattage | 300 |
| Face to Face Connections | - |
| Air Vent Position | - |
| Material | Mild Steel |

All heat outputs are shown at 50°C Δ t in compliance with BSEN442. Watts and Btu's apply to Heating and Dual Fuel only.

Key Features + Benefits



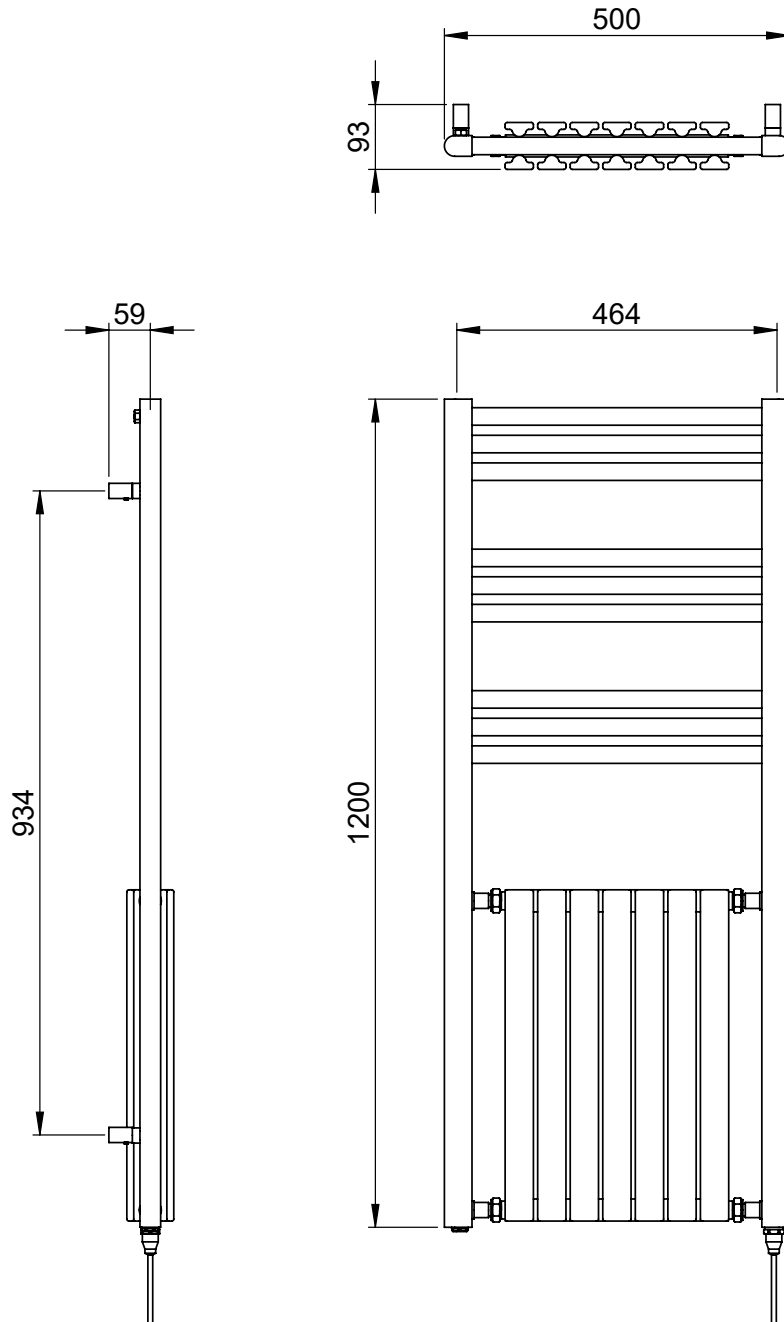
15
Years
Guarantee

MS
Mild
Steel

Certifications + Approvals

Technical Data Sheet | Designer Towel Rails

Kinsley 1200 x 500mm Towel Rail (Heating Only) KIN1200500CP



*Dual energy models require a conversion-tee, consult relevant drawing for details.