

### Kinsley 1200 x 500mm Towel Rail (Dual Fuel) KIN1200500CP-HE



#### Specification

Finish	Chrome / White
Dimensions	1200(h) x 500(w) x 93(d) mm
Weight	14kg
BTU Output/Hr	2846
Watts @ $\Delta$ T50°C	834
Bars	3-3-3
Pipe Centres	464mm
Electric Element Wattage	300
Face to Face Connections	-
Air Vent Position	-
Material	Mild Steel

All heat outputs are shown at 50°C  $\Delta$ t in compliance with BSEN442. Watts and Btu's apply to Heating and Dual Fuel only.

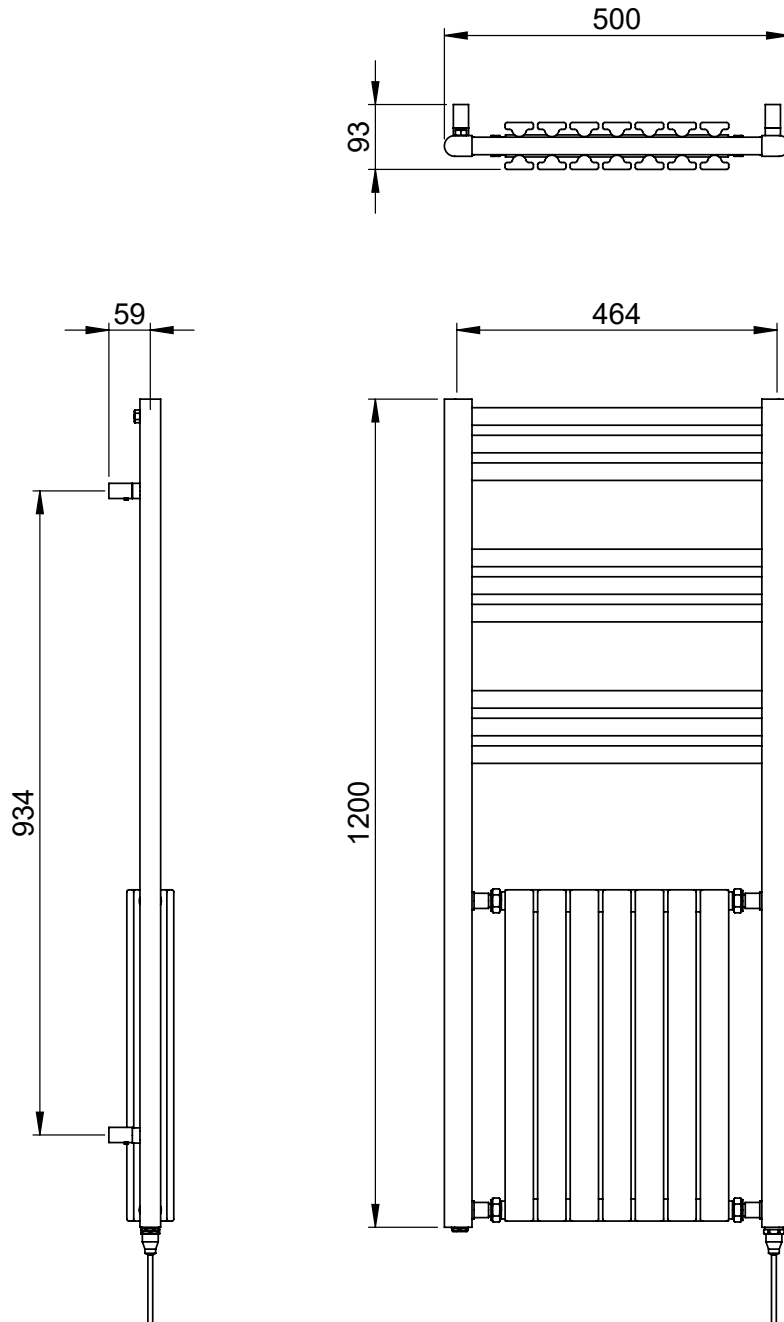
#### Key Features + Benefits



#### Certifications + Approvals

## Technical Data Sheet | Designer Towel Rails

### Kinsley 1200 x 500mm Towel Rail (Dual Fuel) KIN1200500CP-HE



\*Dual energy models require a conversion-tee, consult relevant drawing for details.