

Kinsley Quick Release, Soft Close, Seat + Cover INST02028-SF



Specification

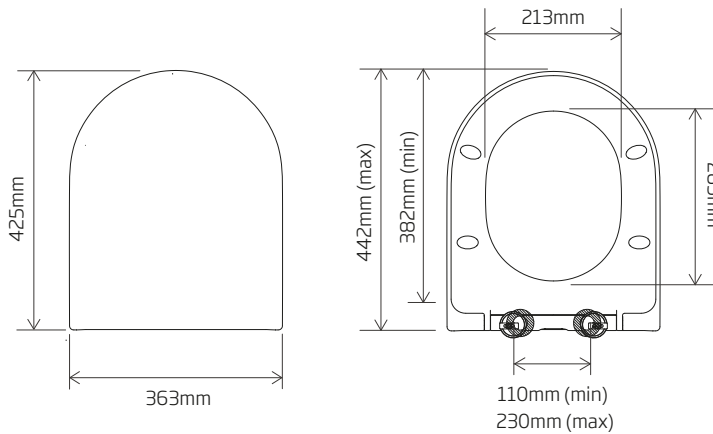
Finish	White
Dimensions	49(h) x 363(w) x 425(d) mm
Weight	2.1 kg
Seat Hinge Material	Stainless Steel
Antibacterial Protection	No
Seat Type	Wrap Over
UV Protection	No
Max Load Test	150kg
Seat Material	Thermoset

Spares

Seat Fixing Set	SP16657
Seat Lid Buffer x 1	SP16658
Ring Buffer x 1	SP16223

FAQs

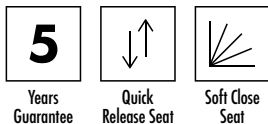
Please see next page



Extra Dimensions

Seat/Lid Front to Back – 425mm
 Seat/Lid Left to Right – 363mm
 Ring Hole Front to Back – 285mm
 Ring Hole Left to Right – 213mm
 Seat Overall Thickness – 49mm
 Width of Back of Seat – 363mm

Key Features + Benefits



Certifications + Approvals

Roper Rhodes

Brassmill Lane Trading Estate, Bath, BA1 3JF. Technical Support – Tel: 01225 303 900 Email: sales@roperrhodes.co.uk

All information on the data sheet is correct at the time of publication. All measurements are approximate and subject to standard tolerances.

Kinsley Quick Release, Soft Close, Seat + Cover INST02028-SF

FAQs

Q – What's the maximum test load of the seat?

A – 150kg.

Q – What are the fixings made from?

A – Stainless Steel Cover Plates/Screws, Nylon Anchor Plates, Rubber Washers, Rubber Fixing Plugs.