

Kinsley 490mm Semi Countertop Standard Depth One Taphole Basin INST02026



Specification

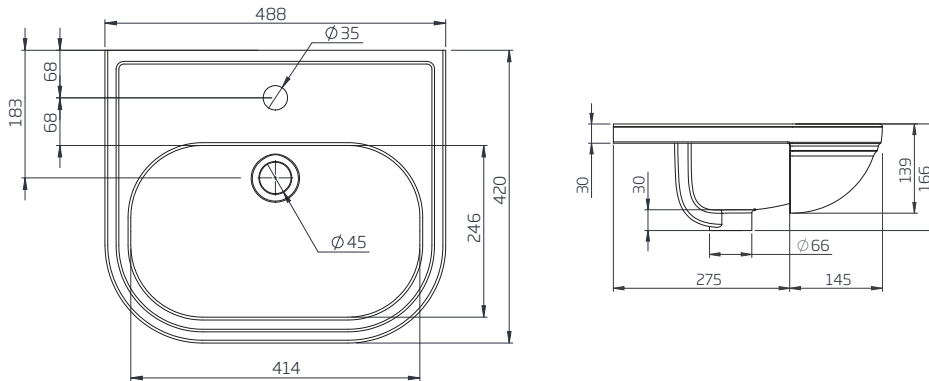
Finish	White
Dimensions	140(h) x 490(w) x 420(d) mm
Weight	10.6kg
Basin Material	Ceramic
Overflow	Yes
Chainstay Hole	Yes
Taphole Positioning	Centre

Spares

Traditional Overflow Grille / Cover (Chrome)	SP18657
Overflow Ring (Chrome)	TSP0348
Fascia Cutting Template (For Standard Depth Basin)	SP18523

FAQs

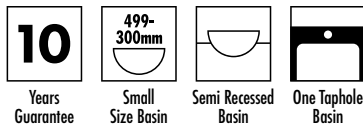
Please see next page



Extra Dimensions

Internal Bowl Depth – 120mm	Taphole Centre to Back of Basin – 68mm
Internal Bowl Front to Back – 246mm	Waste Centre to Back of Basin – 183mm
Internal Bowl Left to Right – 414mm	Height of Basin – 166mm
Tap Ledge – 136mm	Basin Overhang – 145mm
Taphole Centre to Waste Centre – 115mm	

Key Features + Benefits



Certifications + Approvals

Roper Rhodes

Brassmill Lane Trading Estate, Bath, BA1 3JF. Technical Support – Tel: 01225 303 900 Email: sales@roperrhodes.co.uk

All information on the data sheet is correct at the time of publication. All measurements are approximate and subject to standard tolerances.

Kinsley 490mm Semi Countertop Standard Depth One Taphole Basin INST02026

FAQs

Q – Is a fitting template supplied?

A – Yes. Questions on cutting dimensions can be found on the template.

Q – What is the water depth of the basin?

A – 120mm (to the overflow).

Q – How is the basin fixed to the furniture?

A – Fix to worktop with silicone, please refer to instructions provided.