

Kinsley 490mm Semi Countertop Slim Depth Two Taphole Basin INST02025



Specification

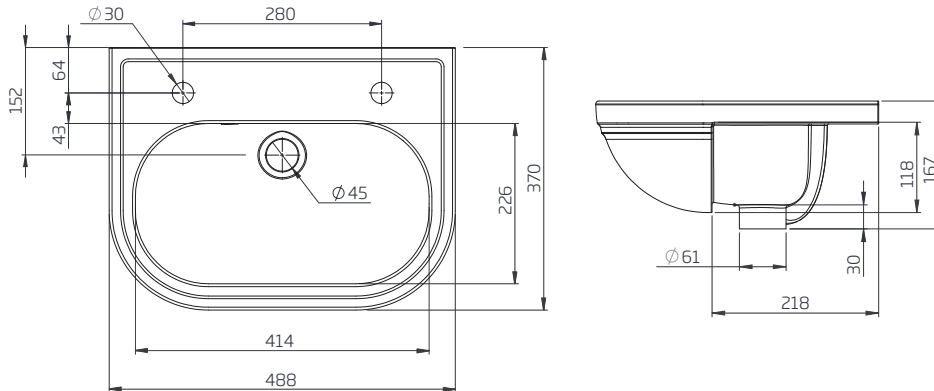
Finish	White
Dimensions	120(h) x 490(w) x 370(d) mm
Weight	10.6kg
Basin Material	Ceramic
Overflow	Yes
Chainstay Hole	Yes
Taphole Positioning	Centre

Spares

Traditional Overflow Grille / Cover (Chrome)	SP18657
Overflow Ring (Chrome)	TSP0348
Fascia Cutting Template (For Slim Depth Basin)	SP18522

FAQs

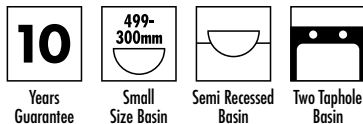
Please see next page



Extra Dimensions

Internal Bowl Depth – 120mm	Taphole Centre to Back of Basin – 58mm
Internal Bowl Front to Back – 226mm	Waste Centre to Back of Basin – 152mm
Internal Bowl Left to Right – 414mm	Height of Basin – 167mm
Tap Ledge – 107mm	Basin Overhang – 152mm
Taphole Centre to Waste Centre – 94mm	

Key Features + Benefits



Certifications + Approvals

Roper Rhodes

Brassmill Lane Trading Estate, Bath, BA1 3JF. Technical Support – Tel: 01225 303 900 Email: sales@roperrhodes.co.uk

All information on the data sheet is correct at the time of publication. All measurements are approximate and subject to standard tolerances.

Kinsley 490mm Semi Countertop Slim Depth Two Taphole Basin INST02025

FAQs

Q – Is a fitting template supplied?

A – Yes. Questions on cutting dimensions can be found on the template.

Q – What is the water depth of the basin?

A – 120mm (to the overflow).

Q – How is the basin fixed to the furniture?

A – Fix to worktop with silicone, please refer to instructions provided.