

### Kinsley Standard Height Short Projection Rimless Back To Wall Pan INST02023, INST02028



#### Seat Specification

Quick Release, Soft Close, Seat & Cover  
(INST02028)

Finish	White
Dimensions	49(h) x 363(w) x 425(d) mm
Weight	2.1kg
Seat Hinge Material	Stainless Steel
Antibacterial Protection	No
Seat Type	Wrap Over
UV Protection	No
Max Load Test	150kg
Seat Material	Thermoset

#### Pan Specification

Standard Height Short Projection Rimless Back To Wall  
Pan  
(INST02023)

Finish	White
Dimensions	410(h) x 360(w) x 490(d) mm
Weight	23.5kg
Fixing Supplied	Yes
Fixing Exposed or Concealed	Concealed

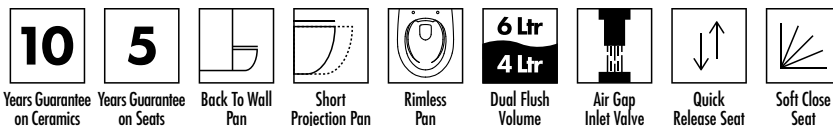
#### Spares

Floor Fixing Kit	SP11078
------------------	---------

#### FAQs

Please see next page

#### Key Features + Benefits



#### Certifications + Approvals

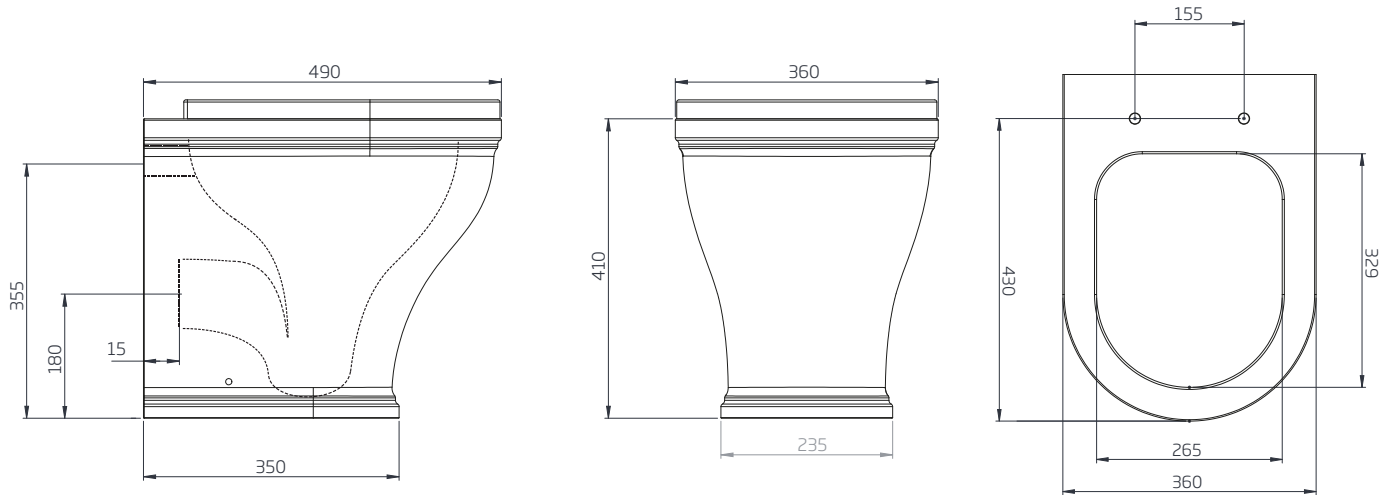
#### Roper Rhodes

Brassmill Lane Trading Estate, Bath, BA1 3JF. Technical Support – Tel: 01225 303 900 Email: sales@roperrhodes.co.uk

All information on the data sheet is correct at the time of publication. All measurements are approximate and subject to standard tolerances.

### Kinsley Standard Height Short Projection Rimless Back To Wall Pan INST02023, INST02028

#### Pan (INST02023)

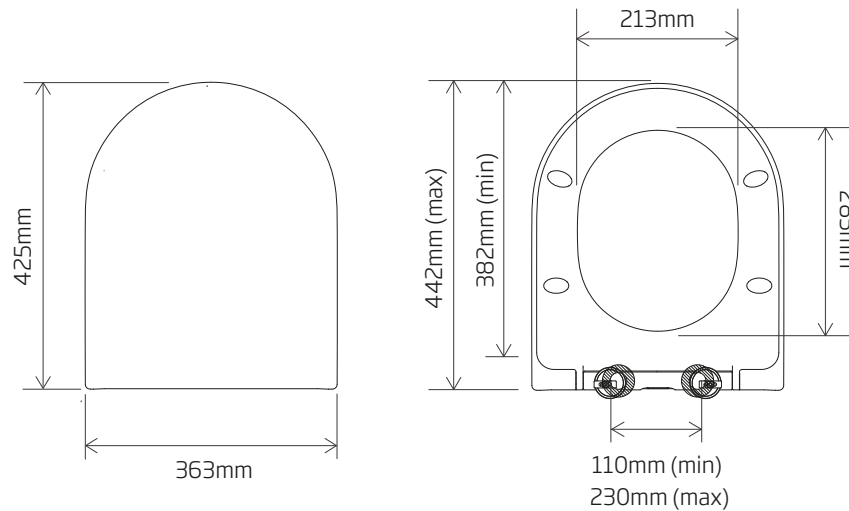


#### Extra Dimensions

Front to Back Footprint – 350mm  
Left to Right Footprint – 235mm  
Bowl Front to Back – 329mm  
Bowl Left to Right – 265mm  
Pan Height – 410mm  
Pan Overall Front to Back – 490mm

Centre Flush Inlet to Floor – 355mm  
Centre Waste Outlet to Floor – 180mm  
Width of Void – 155mm  
Is there a Ceramic Brace Bar – No  
Distance from Spigot to back of Pan – 15mm

#### Seat (INST02028)



#### Extra Dimensions

Seat/Lid Front to Back – 425mm  
Seat/Lid Left to Right – 363mm  
Ring Hole Front to Back – 285mm

Ring Hole Left to Right – 213mm  
Seat Overall Thickness – 49mm  
Width of Back of Seat – 363mm

#### Roper Rhodes

Brassmill Lane Trading Estate, Bath, BA1 3JF. Technical Support – Tel: 01225 303 900 Email: sales@roperrhodes.co.uk

All information on the data sheet is correct at the time of publication. All measurements are approximate and subject to standard tolerances.

### Kinsley Standard Height Short Projection Rimless Back To Wall Pan INST02023, INST02028

#### FAQs

**Q – Are there any other compatible seats?**

A – No.

**Q – Rim type?**

A – Rimless.

**Q – What's the maximum test load of the seat?**

A – 1.50kg.

**Q – What are the fixings made from?**

A – Stainless Steel Cover Plates/Screws, Nylon Anchor Plates, Rubber Washers, Rubber Fixing Plugs.