

Kilnsea LED Illuminated Mirror (Black Finish) INST05086, INST05087, INST05088, INSTKI60PB



Specification

	INST05087 (Circular – Ø600mm)	INST05088 (Circular – Ø800mm)
Finish	Black	Black
Dimensions	600(diameter) x 42(d) mm	800(diameter) x 42(d) mm
Weight	7.53kg	9kg
Lighting Type	LED	LED
Colour Changing Technology (CCT)	No	No
Switch Location	Front	Front
Surface/Recess Fitting	Surface	Surface
Carcass/Frame Construction Material	Aluminium	Aluminium
Carcass/Frame Finish	Black	Black
Glass Thickness	5mm	5mm

	INST05086 (Rectangular)	INSTKI60PB (Pill)
Finish	Black	Brass
Dimensions	700(h) x 500(w) x 42(d) mm	800(h) x 600(w) x 42(d) mm
Weight	5kg	6.4kg
Lighting Type	LED	LED
Colour Changing Technology (CCT)	No	No
Switch Location	Front	Front
Surface/Recess Fitting	Surface	Surface
Carcass/Frame Construction Material	Aluminium	Aluminium
Carcass/Frame Finish	Black	Black
Glass Thickness	5mm	5mm

Features

Finish	Black frame with black diffuser technology
Lighting	LED illumination
Touch Controls	Touch on/off
Hanging	Landscape or Portrait (Rectangular)

FAQs

Please see following pages

Key Features + Benefits

5 Years Guarantee	2 Years Guarantee Electrical Components	IP44 Rated	LED Lighting	Touch Controls	Heated Demister Pad	Portrait or Landscape Hanging
-----------------------------	---	----------------------	------------------------	-----------------------	----------------------------	--------------------------------------

Certifications + Accreditations

Roper Rhodes

Brassmill Lane Trading Estate, Bath, BA1 3JF. Technical Support – Tel: 01225 303 900 Email: sales@roperrhodes.co.uk

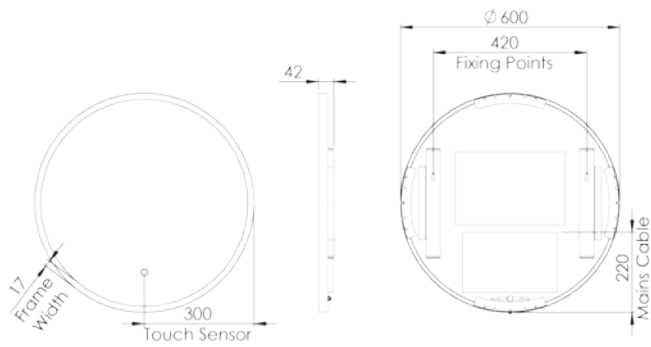
All information on the data sheet is correct at the time of publication. All measurements are approximate and subject to standard tolerances.

Technical Data Sheet | Cabinets + Mirrors

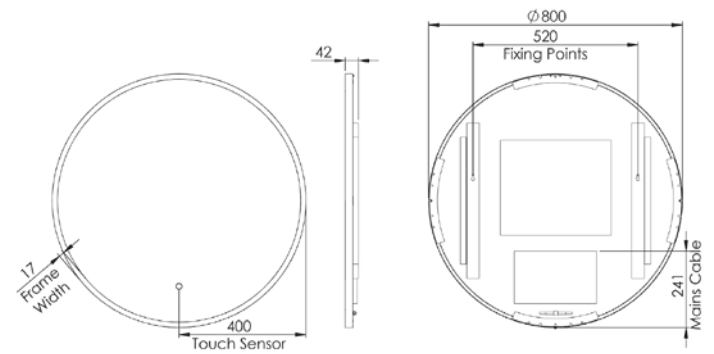
www.instinctproducts.co.uk

Kilnsea LED Illuminated Mirror (Black Finish) INST05086, INST05087, INST05088, INSTKI60PB

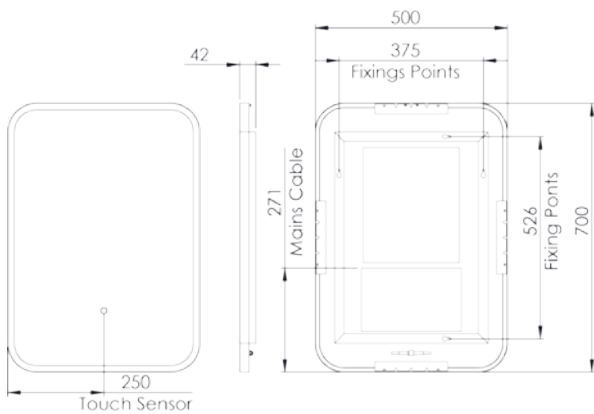
Circular – Ø600mm (INST05087)



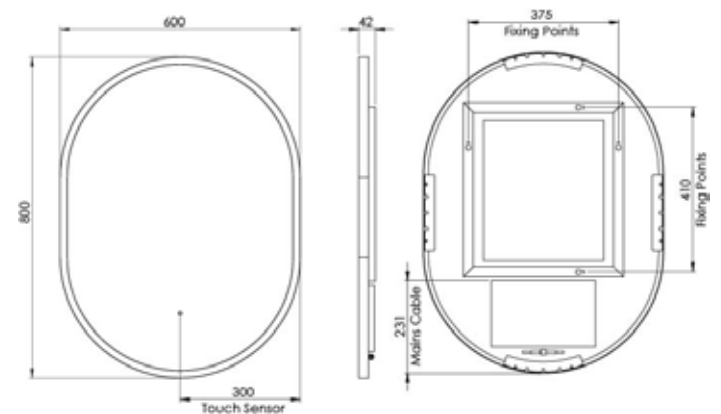
Circular – Ø800mm (INST05088)



Rectangular – 500 x 700mm (INST05086)



Pill – 800 x 600mm (INSTKI60PB)



Roper Rhodes

Brassmill Lane Trading Estate, Bath, BA1 3JF. Technical Support – Tel: 01225 303 900 Email: sales@roperrhodes.co.uk

All information on the data sheet is correct at the time of publication. All measurements are approximate and subject to standard tolerances.

Technical Data Sheet | Cabinets + Mirrors

www.instinctproducts.co.uk

Kilnsea LED Illuminated Mirror (Black Finish)

INST05086, INST05087, INST05088, INSTKI60PB

FAQs

	INST05087 (Circular – Ø600mm)	INST05088 (Circular – Ø800mm)	INST05086 (Rectangular)	INSTKI60PB (Pill)
Can the mirror be hung landscape?	No	No	Yes	Yes
What is the thickness of the mirror glass?	5mm	5mm	5mm	5mm
Is the mirror IP44 rated?	Yes – Suitable for use in bathroom zone 2			
What size fuse should I use?	Seek the advice of an electrician			
Where is the control sensor located?	Front centre bottom when portrait			
Can the LED lighting be replaced?	No	No	No	No
Can the control sensor be replaced?	Yes	Yes	Yes	Yes
How do I turn on the demister pad?	The demister pad will turn on when the LEDs are turned on.			
Are illuminated mirrors supplied with mains cable?	All illuminated mirrors are supplied with a removeable 500mm mains cable. There is ample storage for excess cable in the back of the unit.			

Electrical Specification

	INST05087 (Circular – Ø600mm)	INST05088 (Circular – Ø800mm)	INST05086 (Rectangular)	INSTKI60PB (Pill)
Input Voltage	220-240V 50Hz	220-240V 50Hz	220-240V 50Hz	220-240V 50Hz
Lamp Type	12V DC LED Lamp	12V DC LED Lamp	12V DC LED Lamp	12V DC LED Lamp
Total Wattage (LED + Demist)	39.8W	58.5W	48.4W	55.3W
Demist	13.2W	23.1W	16.5W	23.1W
Demist Size	200*300	300*350	250*300	300*350
LEDs	26.6W	35.4W	31.9W	32.2W
LED	3283lm	4363lm	3931lm	3974lm
Energy Rating	E	E	E	E
CCT	4000K	4000K	4000K	4000K
CRI	80	80	80	80
IP Rating	IP44	IP44	IP44	IP44
Electrical Class	Class II	Class II	Class II	Class II

The LED (lm) values represent the output of the LED. Actual product level Lumen output may vary depending on the diffuser material i.e., glass or acrylic.

Roper Rhodes

Brassmill Lane Trading Estate, Bath, BA1 3JF. Technical Support – Tel: 01225 303 900 Email: sales@roperrhodes.co.uk

All information on the data sheet is correct at the time of publication. All measurements are approximate and subject to standard tolerances.

Kilnsea LED Illuminated Mirror (Black Finish)

INST05086, INST05087, INST05088, INSTKI60PB

Changing the Frame

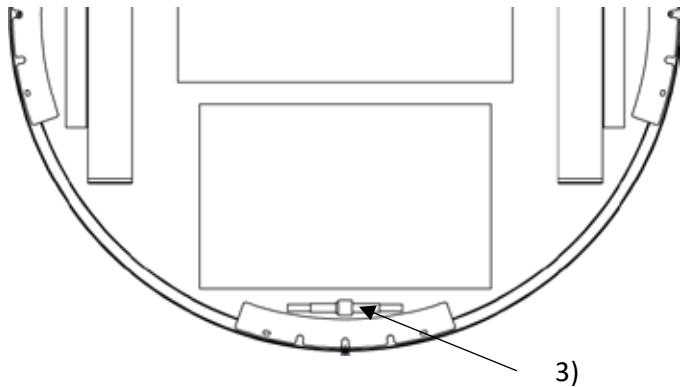
Important:

Product must be turn off and isolated from the power supply before performing maintenance.

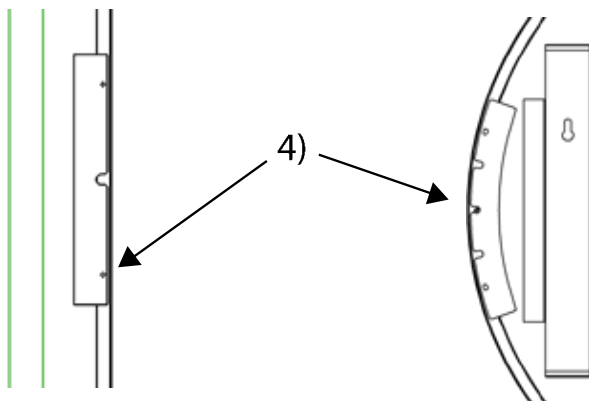
Important:

Do not use a drill to undo the screws as it could damage them. Use a handheld Phillips screwdriver.

- 1 – Remove the mirror from the wall and disconnect the power supply.
- 2 – Place the mirror on a protective surface with the mirror side down.
- 3 – Disconnect the LEDs from the power connector.



- 4 – Remove the screws on the metal brackets that connect the frame to the brackets.



- 5 – Remove the mirror, brackets and electronics box from the frame (they should all be bonded together).
- 6 – Place the mirror into the new frame and connect the LEDs to the power connector.
- 7 – Screw the frame to the brackets.
- 8 – Connect the mirror to the mains power supply and hang it on the wall.