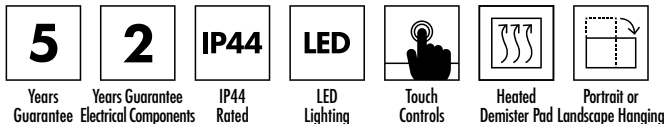


Kilnsea LED Illuminated Mirror

INST05086, INST05087, INST05088, INST050128, INST050129, INST050130



Key Features + Benefits



Specification

	INST05086 (Rectangular)	INST05087 (Circular – ø600mm)	INST05088 (Circular – ø800mm)
Finish	Black	Black	Black
Dimensions	700(h) x 500(w) x 42(d) mm	600(diameter) x 42(d) mm	800(diameter) x 42(d) mm
Weight	5kg	7.53kg	9kg
Lighting Type	LED	LED	LED
Colour Changing Technology (CCT)	No	No	No
Switch Location	Front	Front	Front
Surface/Recess Fitting	Surface	Surface	Surface
Carcass/Frame Construction Material	Aluminium	Aluminium	Aluminium
Carcass/Frame Finish	Black	Black	Black
Glass Thickness	5mm	5mm	5mm

	INST050128 (Rectangular)	INST050129 (Circular – ø600mm)	INST050130 (Circular – ø800mm)
Finish	Brass	Brass	Brass
Dimensions	700(h) x 500(w) x 42(d) mm	600(diameter) x 42(d) mm	800(diameter) x 42(d) mm
Weight	5kg	7.53kg	9kg
Lighting Type	LED	LED	LED
Colour Changing Technology (CCT)	No	No	No
Switch Location	Front	Front	Front
Surface/Recess Fitting	Surface	Surface	Surface
Carcass/Frame Construction Material	Aluminium	Aluminium	Aluminium
Carcass/Frame Finish	Brass	Brass	Brass
Glass Thickness	5mm	5mm	5mm

Features

Finish	Black frame with black diffuser technology or Brushed Brass frame with white diffuser technology
Lighting	LED illumination
Controls	Touch on/off

FAQs

Please see following pages

Certifications + Accreditations

Roper Rhodes

Brassmill Lane Trading Estate, Bath, BA1 3JF. Technical Support – Tel: 01225 303 900 Email: sales@roperrhodes.co.uk

All information on the data sheet is correct at the time of publication. All measurements are approximate and subject to standard tolerances.

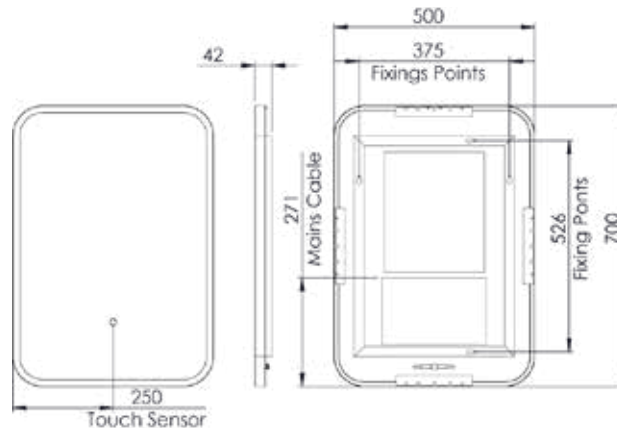
Technical Data Sheet | Cabinets + Mirrors

www.instinctproducts.co.uk

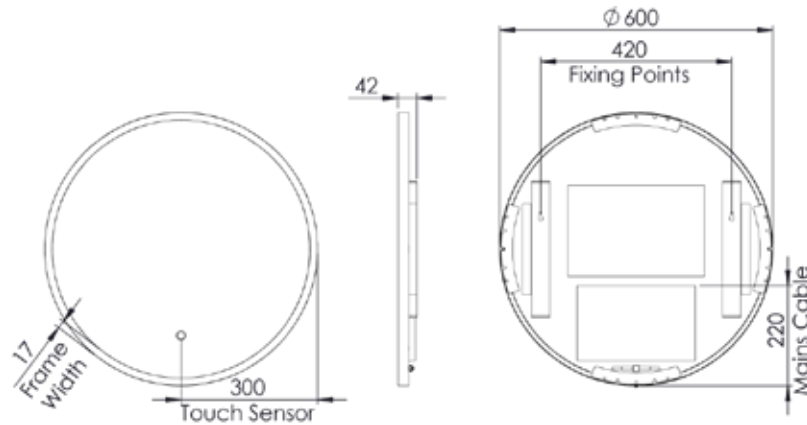
Kilnsea LED Illuminated Mirror

INST05086, INST05087, INST05088, INST050128, INST050129, INST050130

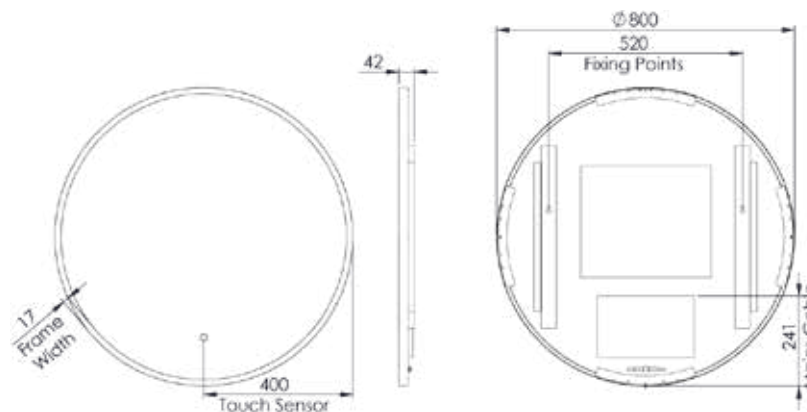
Rectangular (INST05086 + INST050128)



Circular – ø600mm (INST05087 + INST050129)



Circular – ø800mm (INST05088 + INST050130)



Roper Rhodes

Brassmill Lane Trading Estate, Bath, BA1 3JF. Technical Support – Tel: 01225 303 900 Email: sales@roperrhodes.co.uk

All information on the data sheet is correct at the time of publication. All measurements are approximate and subject to standard tolerances.

Kilnsea LED Illuminated Mirror

INST05086, INST05087, INST05088, INST050128, INST050129, INST050130

FAQs

	INST05086 + INST050128 (Rectangular)	INST05087 + INST050129 (Circular – ø600mm)	INST05088 + INST050130 (Circular – ø800mm)
Can the mirror be hung landscape?	Yes	No	No
What is the thickness of the mirror glass?	5mm	5mm	5mm
Is the cabinet IP44 rated?	Yes – Suitable for use in bathroom zone 2		
What size fuse should I use?	Seek the advice of an electrician		
What is the total power consumption?	45.4W	37.4W	54.3W
Does the cabinet have an energy rating?	F	F	F
What is the colour of the light and the Kelvin rating?	4000K	4000K	4000K
What is the Lumen of the LEDs?*	–	–	–
What is the wattage of the lights?	31.9W	26.6W	35.4W
Where is the control sensor located?	Front centre bottom	Front centre bottom	Front centre bottom
Can the LED lighting be replaced?	No**	No**	No**
Can the control sensor be replaced?	Yes	Yes	Yes
What is the output of the demister pad?	10.8W	10.8W	18.9W
What are the dimensions of the demister pad?	200(h) x 300(w) mm	200(h) x 300(w) mm	300(h) x 350(w) mm
How do I turn on the demister pad?	The demister pad will turn on when the LEDs are turned on		
Are illuminated cabinets supplied with mains cable?	All illuminated mirrors are supplied with a removeable 500mm mains cable. There is ample storage for excess cable in the back of the unit		

*The Lumen represents the output of the LED. This may vary depending on the diffuser material i.e., glass or acrylic.

**The LEDs are not replaceable to maintain the integrity of the product's resistance to moisture ingress.

Kilnsea LED Illuminated Mirror

INST05086, INST05087, INST05088, INST050128, INST050129, INST050130

Changing the Frame

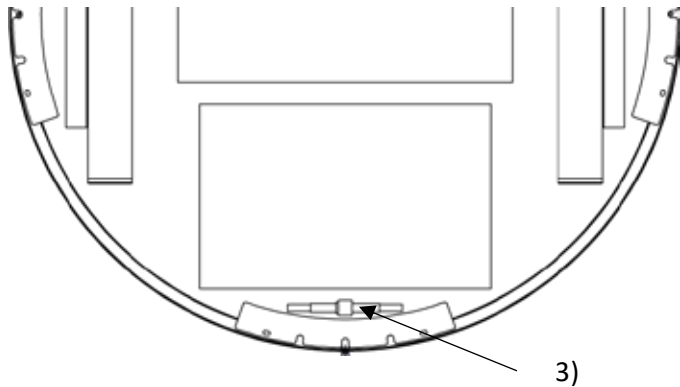
Important:

Product must be turn off and isolated from the power supply before performing maintenance.

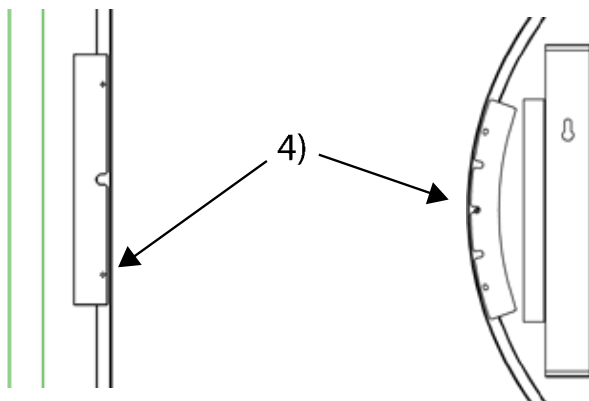
Important:

Do not use a drill to undo the screws as it could damage them. Use a handheld Phillips screwdriver.

- 1 – Remove the mirror from the wall and disconnect the power supply.
- 2 – Place the mirror on a protective surface with the mirror side down.
- 3 – Disconnect the LEDs from the power connector.



- 4 – Remove the screws on the metal brackets that connect the frame to the brackets.



- 5 – Remove the mirror, brackets and electronics box from the frame (they should all be bonded together).
- 6 – Place the mirror into the new frame and connect the LEDs to the power connector.
- 7 – Screw the frame to the brackets.
- 8 – Connect the mirror to the mains power supply and hang it on the wall.