

### Keros LED Illuminated Rectangular Mirror INST05047



#### Specification

Finish	INST05047
Dimensions	700(h) x 500(w) x 51(d) mm
Weight	7.7kg
Lighting Type	LED
Colour Changing Technology (CCT)	No
Switch Location	Front
Surface/Recess Fitting	Surface
Carcass/Frame Construction Material	Aluminium
Glass Thickness	5mm




#### Features

Lighting	LED back lighting
Shaving Socket	Included
Controls	No touch Infrared on/off

#### FAQs

Please see following pages

#### Key Features + Benefits

<b>5</b> Years Guarantee	<b>2</b> Years Guarantee Electrical Components	<b>IP44</b> IP44 Rated	<b>LED</b> LED Lighting	 Charging Socket	 Infrared Controls	 Heated Demister Pad
-----------------------------	---	---------------------------	----------------------------	--	--	--

#### Certifications + Accreditations

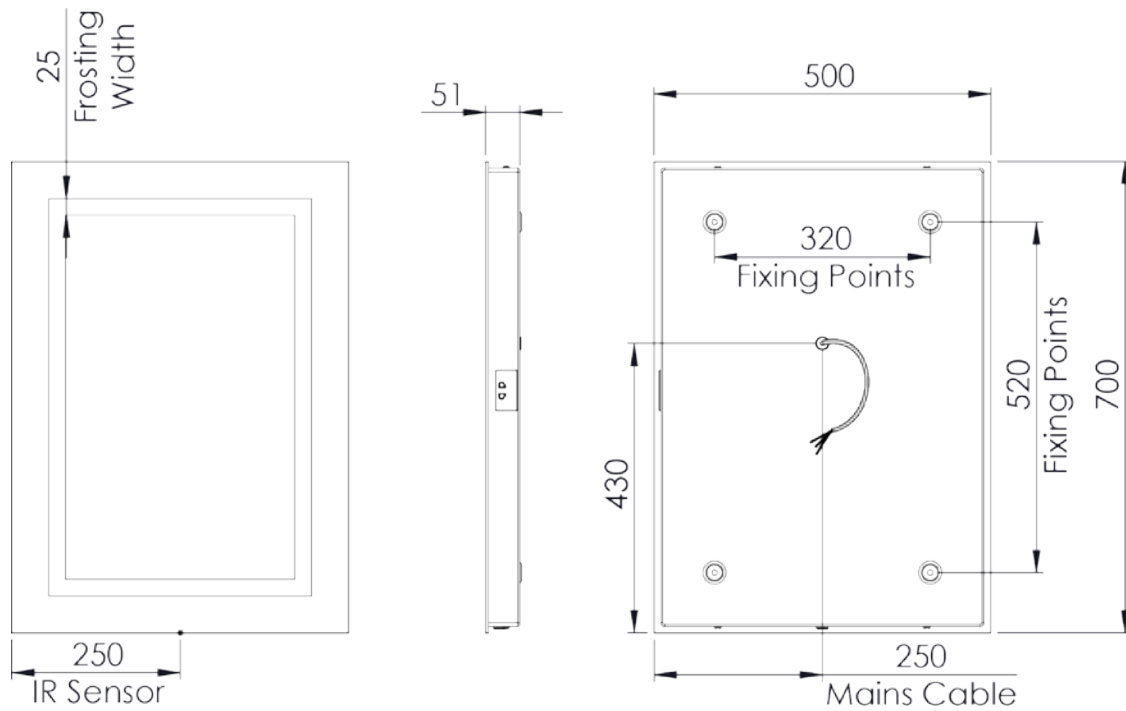
#### Roper Rhodes

Brassmill Lane Trading Estate, Bath, BA1 3JF. Technical Support – Tel: 01225 303 900 Email: sales@roperrhodes.co.uk

All information on the data sheet is correct at the time of publication. All measurements are approximate and subject to standard tolerances.

### Keros LED Illuminated Rectangular Mirror INST05047

700x500mm (INST05047)



### Keros LED Illuminated Rectangular Mirror INST05047

#### FAQs

	INST05047
Can the mirror be hung landscape?	No
What is the thickness of the mirror glass?	5mm
Is the cabinet IP44 rated?	Yes – Suitable for use in bathroom zone 2
What size fuse should I use?	Seek the advice of an electrician
What is the total power consumption?	41.4W
Does the cabinet have an energy rating?	A
What is the colour of the light and the Kelvin rating?	6000K
What is the Lumen of the LEDs?*	–
What is the wattage of the lights?	11W
Where is the IR sensor located?	Front underside in the middle
Can the LED lighting be replaced?	No**
Can the IR sensor be replaced?	Yes
What is the output of the demister pad?	12W
What are the dimensions of the demister pad?	250(h) x 310(w) mm
How do I turn on the demister pad?	The demister pad will turn on when the LEDs are turned on
Are illuminated cabinets supplied with mains cable?	All illuminated mirrors are supplied with a removeable 500mm mains cable

\*The Lumen represents the output of the LED. This may vary depending on the diffuser material i.e., glass or acrylic.

\*\*The LEDs are not replaceable to maintain the integrity of the product's resistance to moisture ingress.