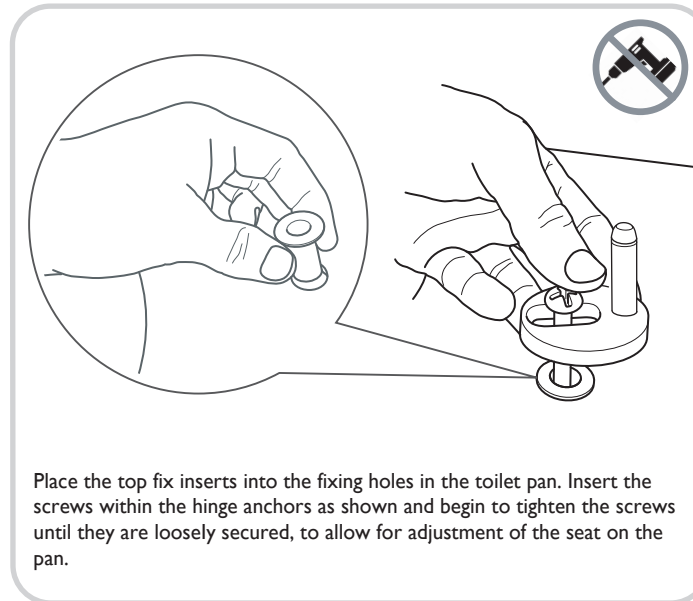
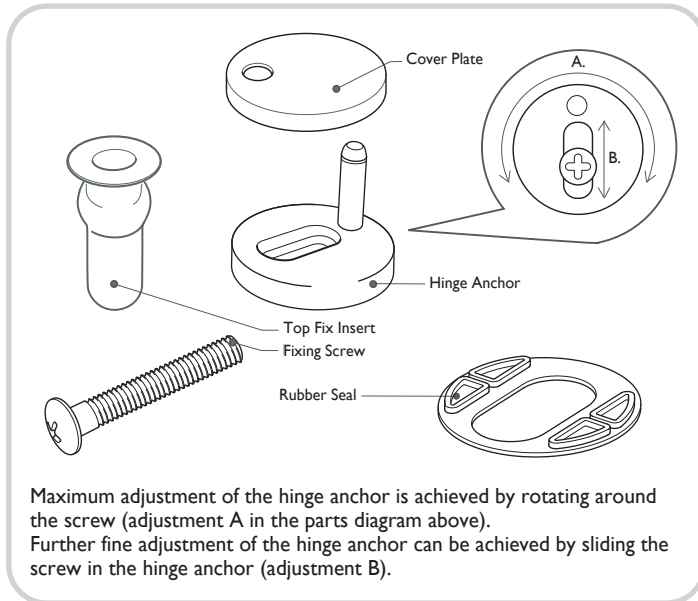


INST03013 KEROS SLIMLINE SOFT CLOSE TOILET SEAT

INSTINCT®

INSTALLATION & AFTERCARE INSTRUCTIONS Please read carefully before attempting to fit the seat. If you are not the end user, please make sure the aftercare instructions are made available for the end user to read.



AFTERCARE INSTRUCTIONS



Clean surfaces with a soft damp cloth and mild soap solution



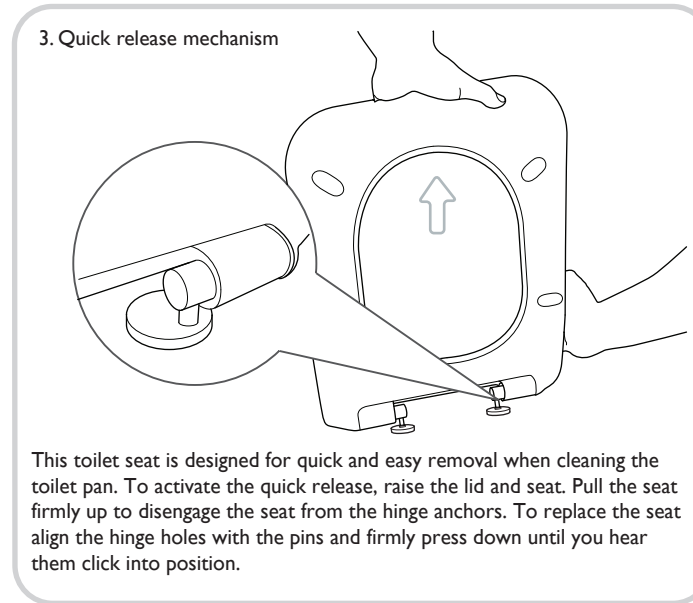
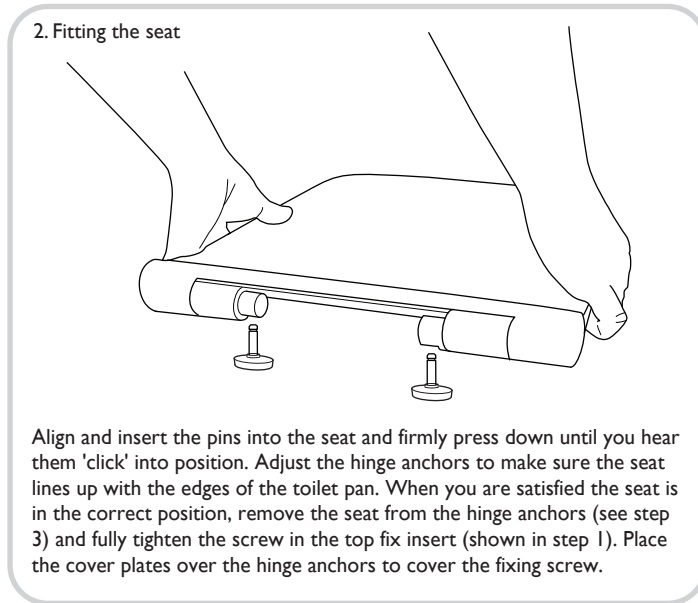
Do not scrub or scour



Do not use abrasive cleaning agents on the seat. The seat must be kept in an upright position until any WC cleaner has been flushed away to prevent discolouring



Do not stand on the lid or ring of your toilet seat



SAFETY INSTRUCTIONS

After a few days check that the fixings are still tight. This is necessary as the rubber components may compress during the first few days. Periodically check all fixings to ensure none have come loose and re-tighten where necessary. Please take care when handling or moving the toilet seat as careless handling may cause damage or injury. The toilet seat can be dangerous if incorrectly installed. Assembly should be carried out by a competent person. No liability will be accepted for damage or injury caused by incorrect product installation or assembly.