

Keros Soft Close, Slim, Seat + Cover INST03013-SF



Specification

Finish	White
Dimensions	30(h) x 346(w) x 425(d) mm
Weight	2.5kg
Seat Hinge Material	Stainless Steel
Antibacterial Protection	No
Seat Type	Slim
UV Protection	-
Max Load Test	150kg
Seat Material	Thermoset

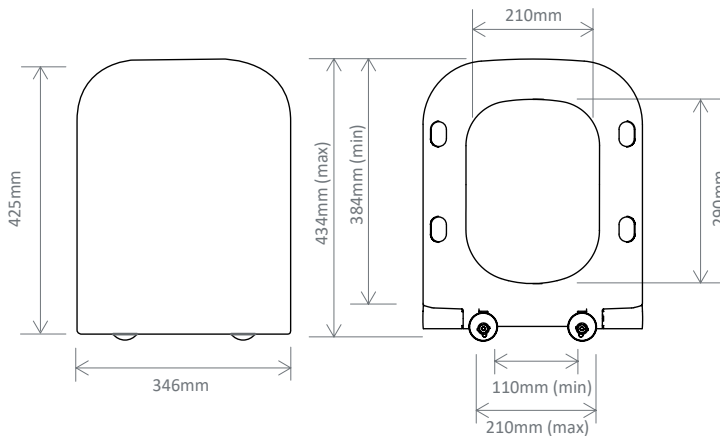
Spares

Fixing Pack	SP17014
Buffer Pack	SP17015
Damper Set	SP17015

FAQs

Please see next page

Secure-Fix QR

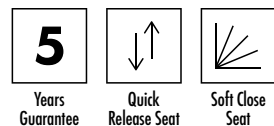


Extra Dimensions

Seat/Lid Front to Back – 425mm
Seat/Lid Left to Right – 346mm
Ring Hole Front to Back – 290mm
Ring Hole Left to Right – 210mm

Seat Overall Thickness – N/A
Width of Back of Seat – N/A
Min/Max Adjustment for Fixings –
384/434, 110/210mm

Key Features + Benefits



Certifications + Approvals

Roper Rhodes

Brassmill Lane Trading Estate, Bath, BA1 3JF. Technical Support – Tel: 01225 303 900 Email: sales@roperrhodes.co.uk

All information on the data sheet is correct at the time of publication. All measurements are approximate and subject to standard tolerances.

Keros Soft Close, Slim, Seat + Cover INST03013-SF

FAQs

Q – What's the maximum test load of the seat?

A – 150kg.

Q – What are the fixings made from?

A – Stainless Steel Cover Plates/Screws, Nylon Anchor Plates, Rubber Washers, Rubber Fixing Plugs.