

Keros Standard Height Short Projection Rimless Back To Wall Pan INST01040, INST01008



Seat Specification

Quick Release, Soft Close, Wrap-Over, Seat & Cover (INST01008)

Finish	White
Dimensions	30(h) x 344(w) x 448(d) mm
Weight	2.6kg
Seat Hinge Material	Stainless Steel
Antibacterial Protection	No
Seat Type	Wrap Over
UV Protection	-
Max Load Test	150kg
Seat Material	Thermoset

Pan Specification

Standard Height Short Projection Rimless Back To Wall Pan (INST01040)

Finish	White
Dimensions	395(h) x 345(w) x 475(d) mm
Weight	20.9kg
Fixing Supplied	Yes
Fixing Exposed or Concealed	Exposed

Spares

Floor Fixings	SP14211
---------------	---------

FAQs

Please see next page

Key Features + Benefits

20	5					
Years Guarantee on Ceramics	Years Guarantee on Seats	Back To Wall Pan	Short Projection Pan	Rimless Pan	Quick Release Seat	Soft Close Seat

Certifications + Approvals

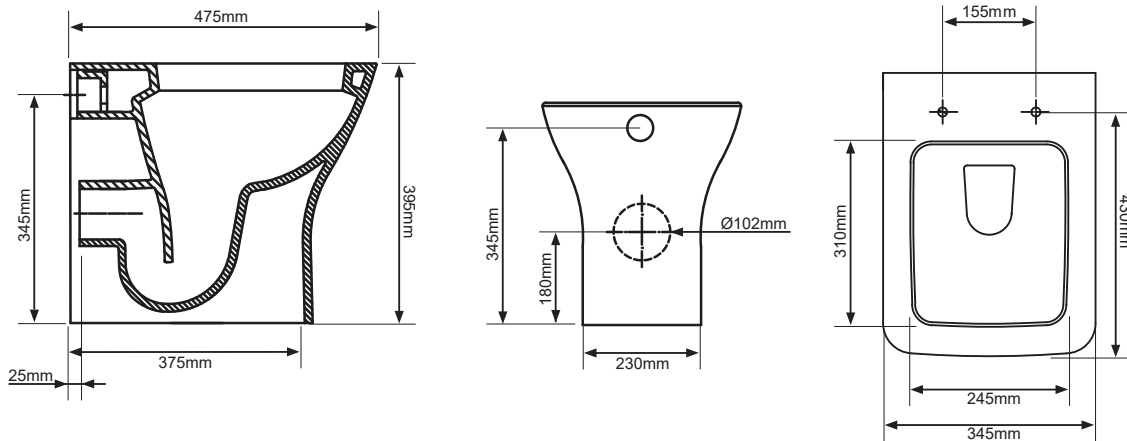
Roper Rhodes

Brassmill Lane Trading Estate, Bath, BA1 3JF. Technical Support – Tel: 01225 303 900 Email: sales@roperrhodes.co.uk

All information on the data sheet is correct at the time of publication. All measurements are approximate and subject to standard tolerances.

Keros Standard Height Short Projection Rimless Back To Wall Pan INST01040, INST01008

Pan (INST01040)

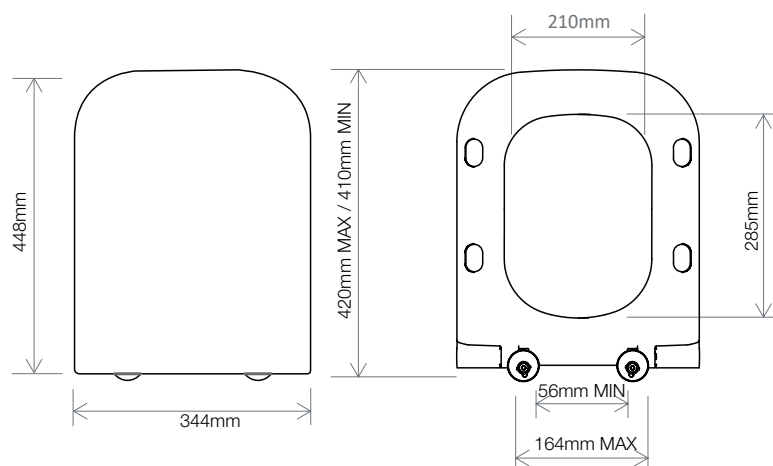


Extra Dimensions

Front to Back Footprint – 375mm
Left to Right Footprint – 230mm
Bowl Front to Back – 310mm
Bowl Left to Right – 245mm
Pan Height – 395mm
Pan Overall Front to Back – 475mm

Centre Flush Inlet to Floor – 345mm
Centre Waste Outlet to Floor – 180mm
Width of Void – 155mm
Is there a Ceramic Brace Bar – Yes
Distance from Spigot to back of Pan – 25mm

Seat (INST01008)



Extra Dimensions

Seat/Lid Front to Back – 448mm
Seat/Lid Left to Right – 344mm
Ring Hole Front to Back – 285mm
Ring Hole Left to Right – 210mm

Seat Overall Thickness – N/A
Width of Back of Seat – N/A
Min/Max Adjustment for Fixings –
420/410mm, 56/164mm

Roper Rhodes

Brassmill Lane Trading Estate, Bath, BA1 3JF. Technical Support – Tel: 01225 303 900 Email: sales@roperrhodes.co.uk

All information on the data sheet is correct at the time of publication. All measurements are approximate and subject to standard tolerances.

Keros Standard Height Short Projection Rimless Back To Wall Pan INST01040, INST01008

FAQs

Q – Are there any other compatible seats?

A – Yes, INST03013 Slim Seat.

Q – Which concealed cistern do I use?

A – Bottom Entry (INST03001) or Side Entry (INST13002), depending on whether the water feed is bottom or side access.
An In-Wall cistern (INST13009) is available for tiled-in installations.

Q – Rim type?

A – Rimless.

Q – What's the maximum test load of the seat?

A – 150kg.

Q – What are the fixings made from?

A – Stainless Steel Cover Plates/Screws, Nylon Anchor Plates, Rubber Washers, Rubber Fixing Plugs.