

Keros Comfort Height Back To Wall Pan INST01026, INST03013-SF



Seat Specification

Soft Close, Slim, Seat & Cover
(INST03013-SF)

Finish	White
Dimensions	30(h) x 346(w) x 425(d) mm
Weight	2.5kg
Seat Hinge Material	Stainless Steel
Antibacterial Protection	No
Seat Type	Slim
UV Protection	-
Max Load Test	150kg
Seat Material	Thermoset

Pan Specification

Comfort Height Back To Wall Pan
(INST01026)

Finish	White
Dimensions	460(h) x 345(w) x 515(d) mm
Weight	25kg
Fixing Supplied	Yes
Fixing Exposed or Concealed	Exposed

Spares

Floor Fixings	SP11078
---------------	---------

FAQs

Please see next page

Key Features + Benefits

20	5				
Years Guarantee on Ceramics	Years Guarantee on Seats	Back To Wall Pan	Comfort Height Pan	Quick Release Seat	Soft Close Seat

Certifications + Approvals

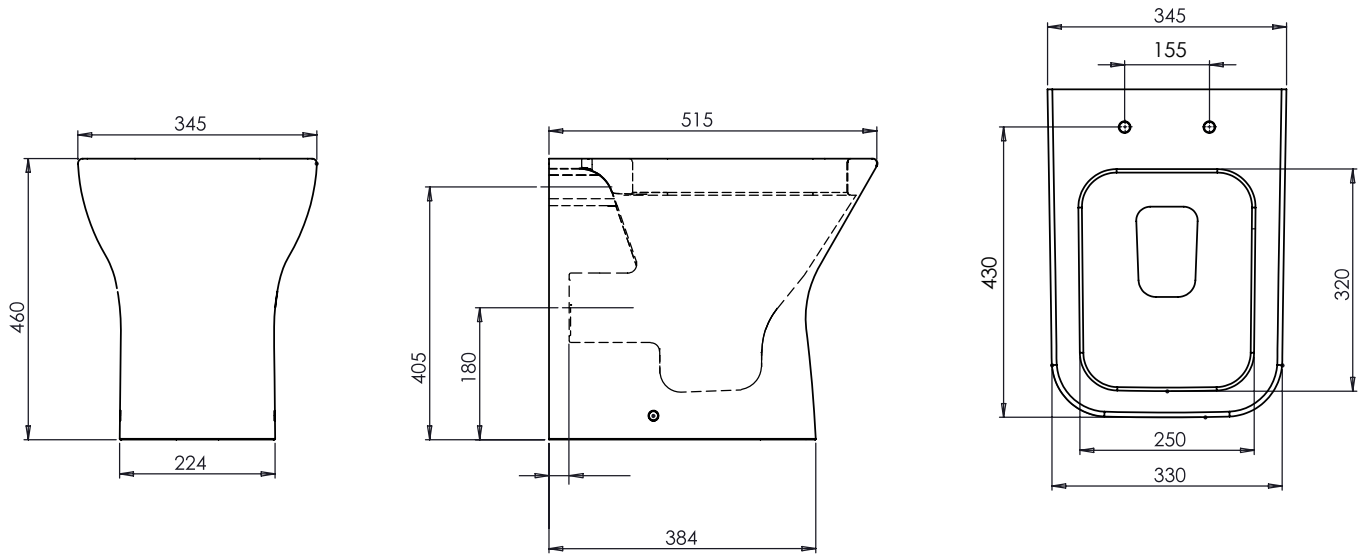
Roper Rhodes

Brassmill Lane Trading Estate, Bath, BA1 3JF. Technical Support – Tel: 01225 303 900 Email: sales@roperrhodes.co.uk

All information on the data sheet is correct at the time of publication. All measurements are approximate and subject to standard tolerances.

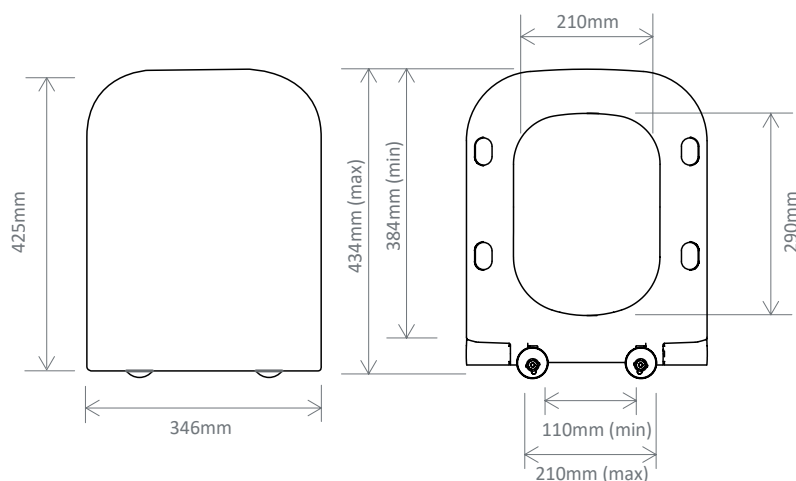
Keros Comfort Height Back To Wall Pan INST01026, INST03013-SF

Pan (INST01026)



Seat (INST03013-SF)

Secure-Fix **QR**



Extra Dimensions

Seat/Lid Front to Back – 425mm
Seat/Lid Left to Right – 346mm
Ring Hole Front to Back – 290mm
Ring Hole Left to Right – 210mm

Seat Overall Thickness – 30mm
Width of Back of Seat – N/A
Min/Max Adjustment for Fixings –
384/434, 110/210mm

Roper Rhodes

Brassmill Lane Trading Estate, Bath, BA1 3JF. Technical Support – Tel: 01225 303 900 Email: sales@roperrhodes.co.uk

All information on the data sheet is correct at the time of publication. All measurements are approximate and subject to standard tolerances.

Keros Comfort Height Back To Wall Pan INST01026, INST03013-SF

FAQs

Q – Are there any other compatible seats?

A – No.

Q – What's the maximum test load of the seat?

A – 150kg.

Q – What are the fixings made from?

A – Stainless Steel Cover Plates/Screws, Nylon Anchor Plates, Rubber Washers, Rubber Fixing Plugs.