

Keros Wall Hung Pan INST01015, INST03013-SF



Seat Specification

Soft Close, Slim, Seat & Cover
(INST03013-SF)

Finish	White
Dimensions	30(h) x 346(w) x 425(d) mm
Weight	2.5kg
Seat Hinge Material	Stainless Steel
Antibacterial Protection	No
Seat Type	Slim
UV Protection	-
Max Load Test	150kg
Seat Material	Thermoset

Pan Specification

Wall Hung Pan
(INST01015)

Finish	White
Dimensions	345(h) x 340(w) x 505(d) mm
Weight	21.8kg
Fixing Supplied	Yes
Fixing Exposed or Concealed	Concealed

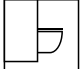


Spares

Wall Hung Pan SP17013
Concealed Fixings Kit

FAQs

Please see next page

Key Features + Benefits

20 Years Guarantee on Ceramics	5 Years Guarantee on Seats	 Wall Hung Pan	4.5 Ltr 3 Ltr Dual Flush Volume	 Quick Release Seat	 Soft Close Seat
---	---	---	--	--	---

Certifications + Approvals

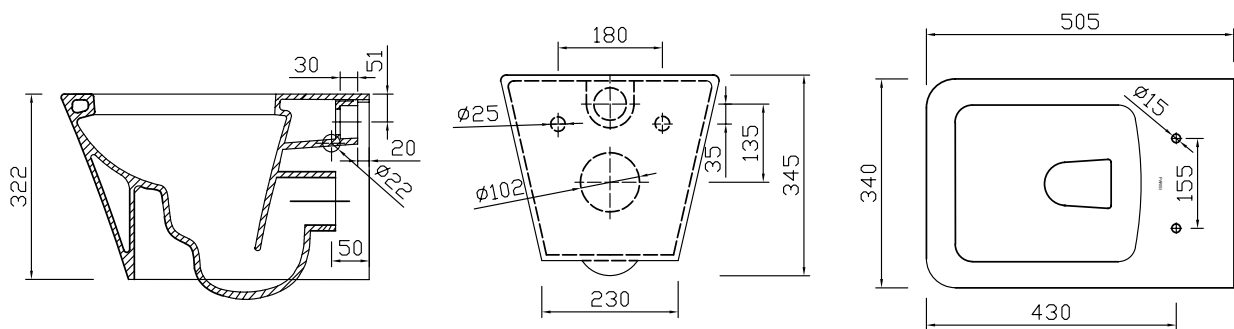
Roper Rhodes

Brassmill Lane Trading Estate, Bath, BA1 3JF. Technical Support – Tel: 01225 303 900 Email: sales@roperrhodes.co.uk

All information on the data sheet is correct at the time of publication. All measurements are approximate and subject to standard tolerances.

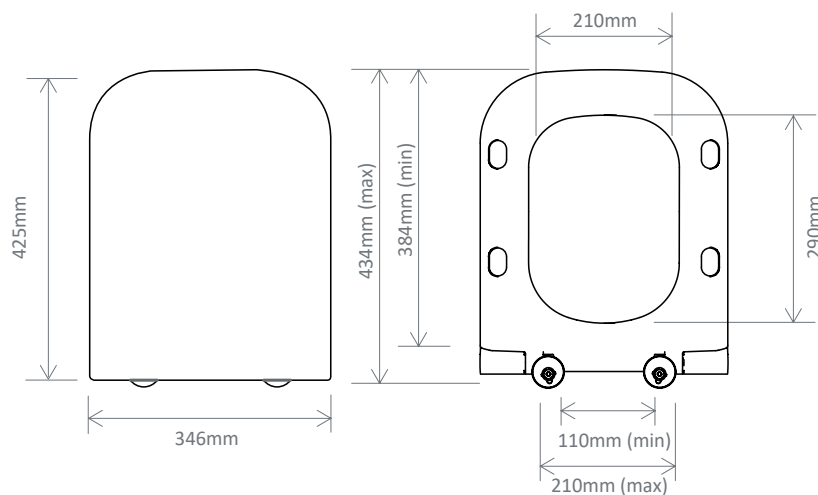
Keros Wall Hung Pan INST01015, INST03013-SF

Pan (INST01015)



Seat (INST03013-SF)

Secure-Fix 



Extra Dimensions

Seat/Lid Front to Back – 425mm
Seat/Lid Left to Right – 346mm
Ring Hole Front to Back – 290mm
Ring Hole Left to Right – 210mm

Seat Overall Thickness – N/A
Width of Back of Seat – N/A
Min/Max Adjustment for Fixings –
384/434, 110/210

Roper Rhodes

Brassmill Lane Trading Estate, Bath, BA1 3JF. Technical Support – Tel: 01225 303 900 Email: sales@roperrhodes.co.uk

All information on the data sheet is correct at the time of publication. All measurements are approximate and subject to standard tolerances.

Technical Data Sheet | Sanitaryware

Keros Wall Hung Pan INST01015, INST03013-SF

FAQs

Q – Are there any other compatible seats?

A – Yes, INST01008.

Q – What's the maximum test load of the seat?

A – 150kg.

Q – What are the fixings made from?

A – Stainless Steel Cover Plates/Screws, Nylon Anchor Plates, Rubber Washers, Rubber Fixing Plugs.