

Keros Comfort Height Closed Back Close Coupled WC Suite INST01007, INST01002, INST01008



Cistern Specification

Close Coupled Cistern
(INST01002)

Finish	White
Dimensions	450(h) x 350(w) x 135(d) mm
Weight	11.6kg
Cistern Fitting Manufacturer	R&T
Lever	Push button
Lever Position	Cistern lid
Inlet Position (When looking at WC)	Bottom right

Seat Specification

Quick Release, Soft Close, Wrap-Over, Seat & Cover
(INST01008)

Finish	White
Dimensions	55(h) x 345(w) x 448(d) mm
Weight	2.6kg
Seat Hinge Material	Stainless Steel
Antibacterial Protection	No
Seat Type	Wrap Over
UV Protection	-
Max Load Test	150kg
Seat Material	Thermoset

Pan Specification

Comfort Height Closed Back Close Coupled Pan
(INST01007)

Finish	White
Dimensions	460(h) x 345(w) x 640(d) mm
Weight	27.3kg
Fixing Supplied	Yes
Fixing Exposed or Concealed	Exposed

Spares

Please see next page

FAQs

Please see next page

Key Features + Benefits

20 Years Guarantee on Ceramics	5 Years Guarantee on Seats	2 Years Guarantee on Cistern Components	Closed Back WC Suite	Close Coupled WC Suite	Comfort Height Pan	4.5 Ltr 3 Ltr	Air Gap Inlet Valve	Quick Release Hinges	Soft Close Seat
---	---	--	-------------------------	---------------------------	-----------------------	--------------------------------	------------------------	-------------------------	--------------------

Certifications + Approvals

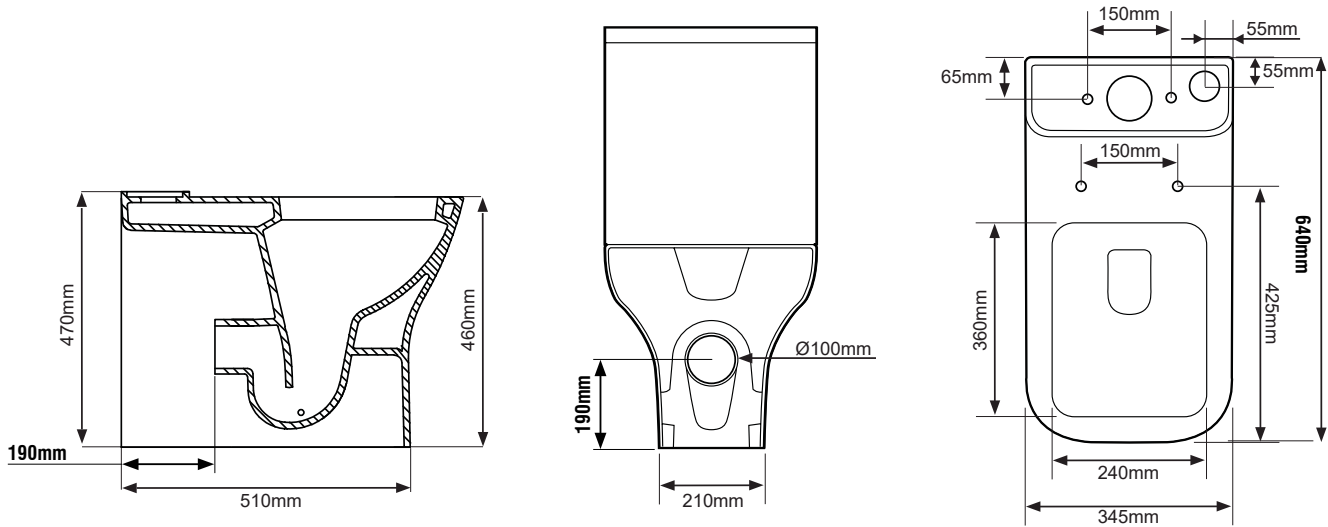
Roper Rhodes

Brassmill Lane Trading Estate, Bath, BA1 3JF. Technical Support – Tel: 01225 303 900 Email: sales@roperrhodes.co.uk

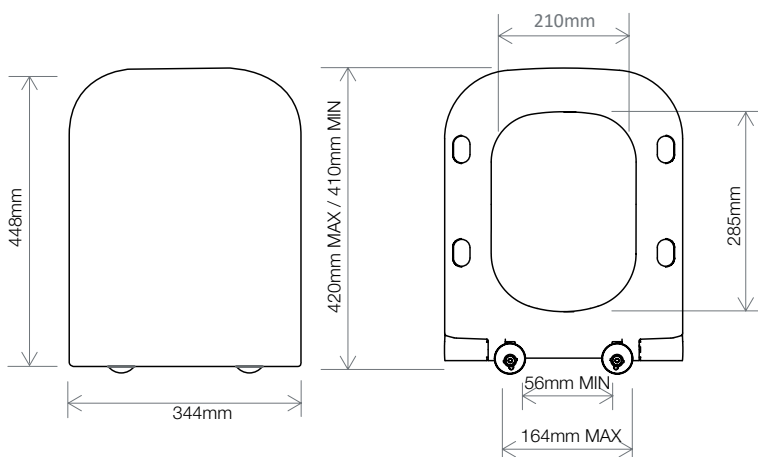
All information on the data sheet is correct at the time of publication. All measurements are approximate and subject to standard tolerances.

Keros Comfort Height Closed Back Close Coupled WC Suite INST01007, INST01002, INST01008

Pan (INST01007) + Cistern (INST01002)



Seat (INST01008)



Extra Dimensions

Seat/Lid Front to Back – 448mm
Seat/Lid Left to Right – 344mm
Ring Hole Front to Back – 285mm
Ring Hole Left to Right – 210mm

Seat Overall Thickness – N/A
Width of Back of Seat – N/A
Min/Max Adjustment for Fixings –
420/410mm, 56/164mm

Spares

Floor Fixing Kit	SP11078
Flush Valve with Telescopic Overflow (A24232)	INST02043
Rubber Flap Seal (For A24232 Flush Valve)	SP19617
Air Gap Inlet Valve (Tall)	SP19528
Rubber Diaphragm (Air Gap Inlet Valve)	SP19616
Close Coupled Rubber Doughnut Washer	SP19538
Brass Tank Fixing Bolt Set (With M6*80mm Bolts)	SP19542
Chrome Flush Button (Ø38mm Hole)	SP19532
Black Flush Button (Ø38mm Hole)	INST02036
Brushed Brass Flush Button (Ø38mm Hole)	INST02044

Roper Rhodes

Brassmill Lane Trading Estate, Bath, BA1 3JF. Technical Support – Tel: 01225 303 900 Email: sales@roperrhodes.co.uk

All information on the data sheet is correct at the time of publication. All measurements are approximate and subject to standard tolerances.

Keros Comfort Height Closed Back Close Coupled WC Suite INST01007, INST01002, INST01008

FAQs

Q – Where is the inlet valve?

A – Right hand side.

Q – Can this pan be used with a side connection outlet pipe?

A – No.

Q – The cistern lid won't shut/the cistern isn't working correctly?

A – Ensure the inlet and flush valves are set to the correct heights.

Q – What is the flush volume?

A – 4.5/3L.

Q – Is this WC rimless or box rim?

A – Box.

Q – Does it have an airgap?

A – Yes.

Q – Are there any other compatible seats?

A – No.

Q – What's the maximum test load of the seat?

A – 150kg.

Q – What are the fixings made from?

A – Stainless Steel Cover Plates/Screws, Stainless Steel Anchor Plates, Rubber Washers, Rubber Fixing Plugs.