

### Keros Comfort Height Closed Back Close Coupled WC Suite INST01007, INST01002, INST01008-SF



#### Cistern Specification

Close Coupled Cistern  
(INST01002)

|  |                             |
|--|-----------------------------|
| Finish                                 | White                       |
| Dimensions                             | 450(h) x 350(w) x 135(d) mm |
| Weight                                 | 11.6kg                      |
| Cistern Fitting<br>Manufacturer        | R&T                         |
| Lever                                  | Push button                 |
| Lever Position                         | Cistern lid                 |
| Inlet Position<br>(When looking at WC) | Bottom right                |

#### Seat Specification

Quick Release, Soft Close, Wrap-Over, Seat & Cover  
(INST01008-SF)

|                          |                            |
|--------------------------|----------------------------|
| Finish                   | White                      |
| Dimensions               | 55(h) x 345(w) x 448(d) mm |
| Weight                   | 2.6kg                      |
| Seat Hinge Material      | Stainless Steel            |
| Antibacterial Protection | No                         |
| Seat Type                | Wrap Over                  |
| UV Protection            | -                          |
| Max Load Test            | 150kg                      |
| Seat Material            | Thermoset                  |

#### Pan Specification

Comfort Height Closed Back Close Coupled Pan  
(INST01007)

|                                |                             |
|--------------------------------|-----------------------------|
| Finish                         | White                       |
| Dimensions                     | 460(h) x 345(w) x 640(d) mm |
| Weight                         | 27.3kg                      |
| Fixing Supplied                | Yes                         |
| Fixing Exposed or<br>Concealed | Exposed                     |

#### Spares

Please see next page

#### FAQs

Please see next page

#### Key Features + Benefits

|   |   |  |                         |                           |                       |                  |                        |                         |                    |
|---|---|--|-------------------------|---------------------------|-----------------------|------------------|------------------------|-------------------------|--------------------|
| <b>20</b><br>Years Guarantee<br>on Ceramics | <b>5</b><br>Years Guarantee<br>on Seats | <b>2</b><br>Years Guarantee<br>on Cistern Components | Closed Back<br>WC Suite | Close Coupled<br>WC Suite | Comfort<br>Height Pan | 4.5 Ltr<br>3 Ltr | Air Gap<br>Inlet Valve | Quick Release<br>Hinges | Soft Close<br>Seat |
|---|---|--|-------------------------|---------------------------|-----------------------|------------------|------------------------|-------------------------|--------------------|

#### Certifications + Approvals

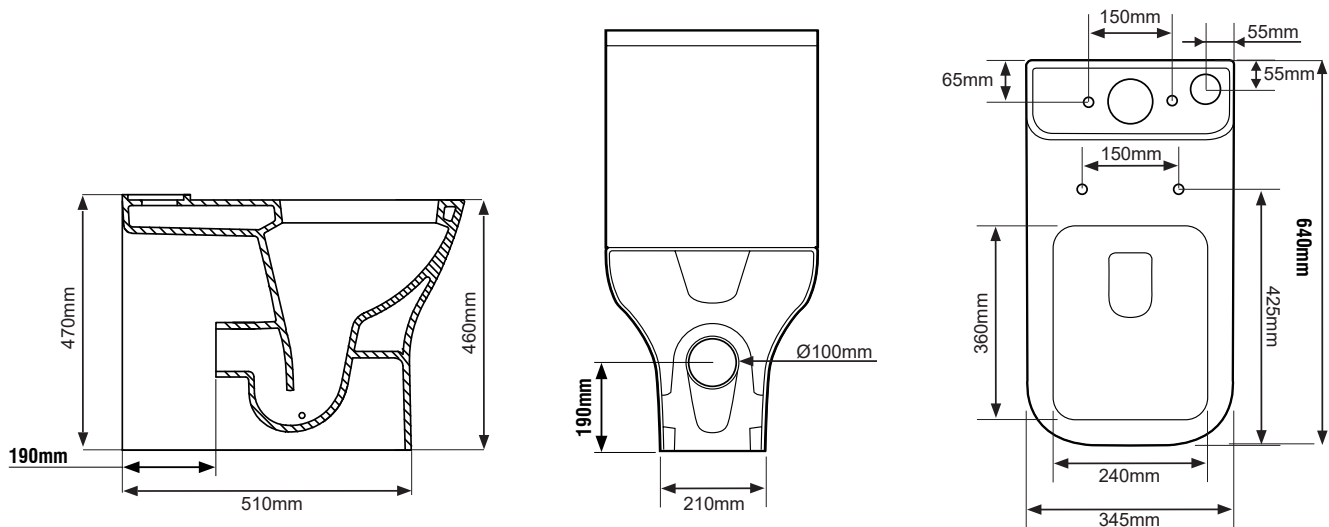
#### Roper Rhodes

Brassmill Lane Trading Estate, Bath, BA1 3JF. Technical Support – Tel: 01225 303 900 Email: sales@roperrhodes.co.uk

All information on the data sheet is correct at the time of publication. All measurements are approximate and subject to standard tolerances.

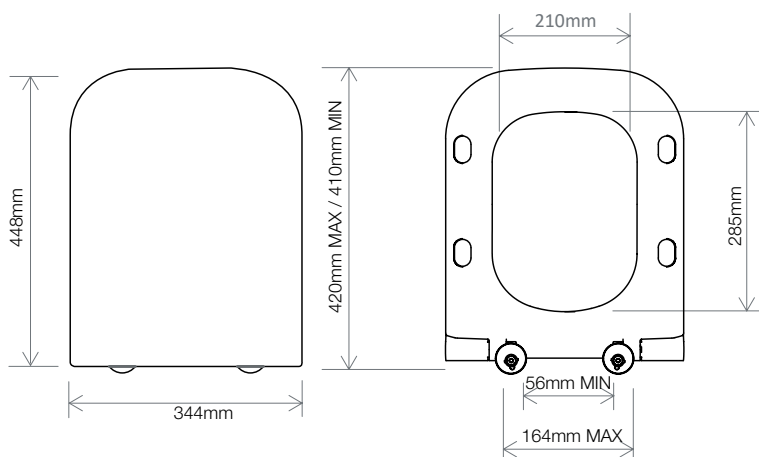
### Keros Comfort Height Closed Back Close Coupled WC Suite INST01007, INST01002, INST01008-SF

#### Pan (INST01007) + Cistern (INST01002)



#### Seat (INST01008-SF)

Secure-Fix 



#### Extra Dimensions

Seat/Lid Front to Back – 448mm  
Seat/Lid Left to Right – 344mm  
Ring Hole Front to Back – 285mm  
Ring Hole Left to Right – 210mm

Seat Overall Thickness – N/A  
Width of Back of Seat – N/A  
Min/Max Adjustment for Fixings –  
420/410mm, 56/164mm

#### Spares

|   |           |
|---|-----------|
| Floor Fixing Kit                                | SP11078   |
| Flush Valve with Telescopic Overflow (A24232)   | INST02043 |
| Rubber Flap Seal (For A24232 Flush Valve)       | SP19617   |
| Air Gap Inlet Valve (Tall)                      | SP19528   |
| Rubber Diaphragm (Air Gap Inlet Valve)          | SP19616   |
| Close Coupled Rubber Doughnut Washer            | SP19538   |
| Brass Tank Fixing Bolt Set (With M6*80mm Bolts) | SP19542   |
| Chrome Flush Button (Ø38mm Hole)                | SP19532   |
| Black Flush Button (Ø38mm Hole)                 | INST02036 |
| Brushed Brass Flush Button (Ø38mm Hole)         | INST02044 |

#### Roper Rhodes

Brassmill Lane Trading Estate, Bath, BA1 3JF. Technical Support – Tel: 01225 303 900 Email: sales@roperrhodes.co.uk

All information on the data sheet is correct at the time of publication. All measurements are approximate and subject to standard tolerances.

### Keros Comfort Height Closed Back Close Coupled WC Suite INST01007, INST01002, INST01008-SF

#### FAQs

**Q – Where is the inlet valve?**

A – Right hand side.

**Q – Can this pan be used with a side connection outlet pipe?**

A – No.

**Q – The cistern lid won't shut/the cistern isn't working correctly?**

A – Ensure the inlet and flush valves are set to the correct heights.

**Q – What is the flush volume?**

A – 4.5/3L.

**Q – Is this WC rimless or box rim?**

A – Box.

**Q – Does it have an airgap?**

A – Yes.

**Q – Are there any other compatible seats?**

A – No.

**Q – What's the maximum test load of the seat?**

A – 150kg.

**Q – What are the fixings made from?**

A – Stainless Steel Cover Plates/Screws, Stainless Steel Anchor Plates, Rubber Washers, Rubber Fixing Plugs.

