

Keros Standard Height Back To Wall Pan INST01005, INST01008-SF



Seat Specification

Quick Release, Soft Close, Wrap-Over, Seat & Cover (INST01008-SF)

Finish	White
Dimensions	30(h) x 344(w) x 448(d) mm
Weight	2.6kg
Seat Hinge Material	Stainless Steel
Antibacterial Protection	No
Seat Type	Wrap Over
UV Protection	-
Max Load Test	150kg
Seat Material	Thermoset

Pan Specification

Standard Height Back To Wall WC Pan (INST01005)

Finish	White
Dimensions	395(h) x 345(w) x 515(d) mm
Weight	20.4kg
Fixing Supplied	Yes
Fixing Exposed or Concealed	Exposed

Spares

Floor Fixings	SP11078
---------------	---------

FAQs

Please see next page

Key Features + Benefits

20 Years Guarantee on Ceramics	5 Years Guarantee on Seats	 Back To Wall Pan	4.5 Ltr 3 Ltr Dual Flush Volume	 Quick Release Seat	 Soft Close Seat
---	---	-------------------------	--	---------------------------	------------------------

Certifications + Approvals

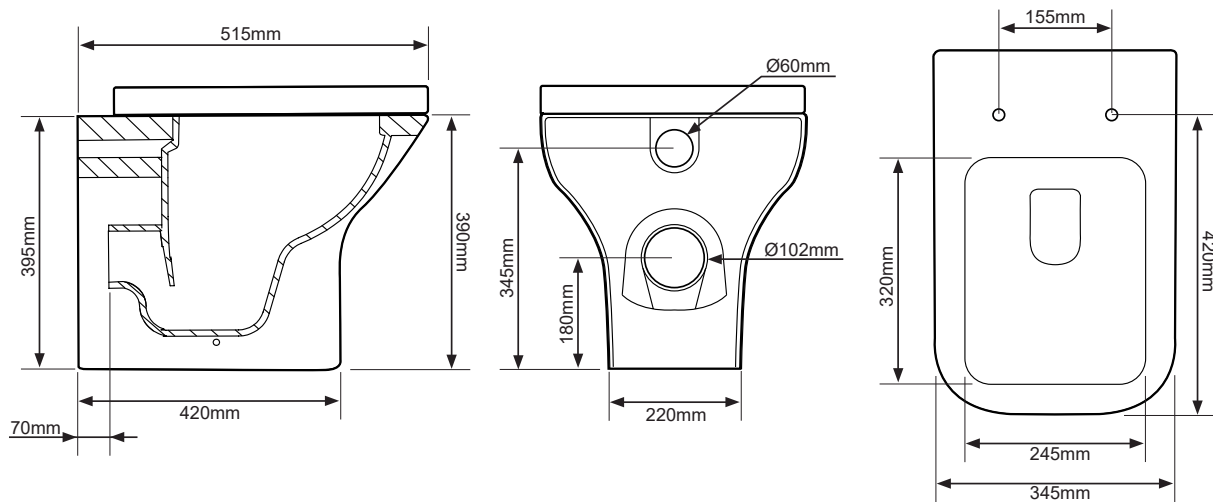
Roper Rhodes

Brassmill Lane Trading Estate, Bath, BA1 3JF. Technical Support – Tel: 01225 303 900 Email: sales@roperrhodes.co.uk

All information on the data sheet is correct at the time of publication. All measurements are approximate and subject to standard tolerances.

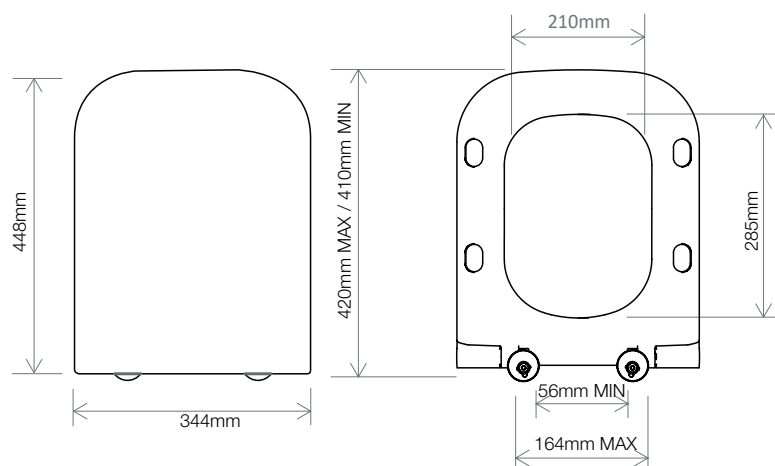
Keros Standard Height Back To Wall Pan INST01005, INST01008-SF

Pan (INST01005)



Seat (INST01008-SF)

Secure-Fix 



Extra Dimensions

Seat/Lid Front to Back – 448mm
Seat/Lid Left to Right – 344mm
Ring Hole Front to Back – 285mm
Ring Hole Left to Right – 210mm

Seat Overall Thickness – N/A
Width of Back of Seat – N/A
Min/Max Adjustment for Fixings –
420/410mm, 56/164mm

Roper Rhodes

Brassmill Lane Trading Estate, Bath, BA1 3JF. Technical Support – Tel: 01225 303 900 Email: sales@roperrhodes.co.uk

All information on the data sheet is correct at the time of publication. All measurements are approximate and subject to standard tolerances.

Keros Standard Height Back To Wall Pan INST01005, INST01008-SF

FAQs

Q – Are there any other compatible seats?

A – No.

Q – What's the maximum test load of the seat?

A – 150kg.

Q – What are the fixings made from?

A – Stainless Steel Cover Plates/Screws, Nylon Anchor Plates, Rubber Washers, Rubber Fixing Plugs.