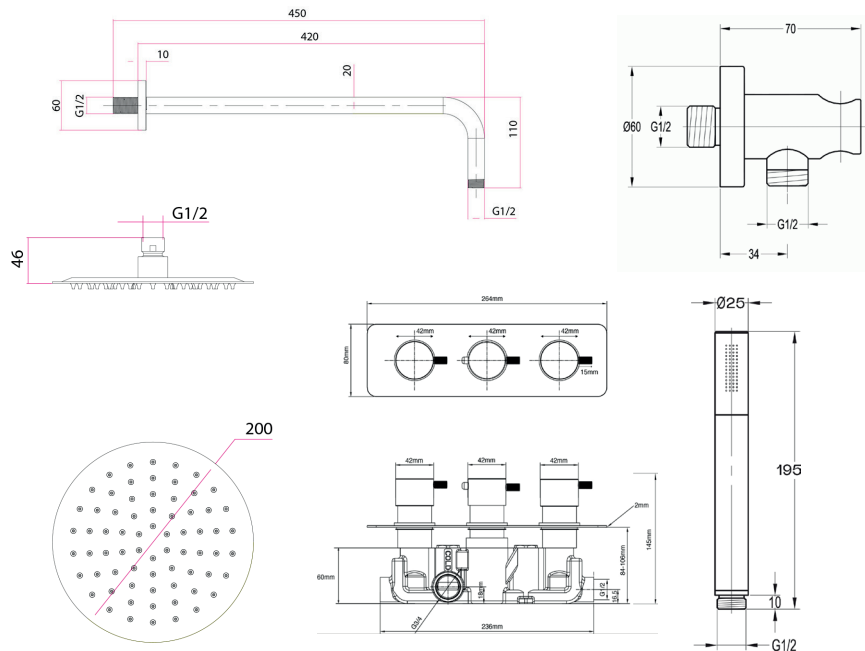
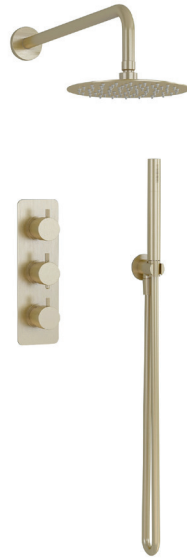


### Keros Pack 3 INS37117



#### Specification

Finish	Brushed Brass
Dimensions	–(h) x –(w) x –(d) mm
Weight	–
Body Material	–
Hose Material	Reinforced PVC
Hose Length	1500mm
Hose Type	Smooth
Hose Connection	½" Threaded
Hose Bore	7mm
Overhead	Fixed
Overhead Material	Stainless Steel
Overhead Size	200mm
Shower Arm Length	420mm
Handset Material	Brass
Handset Functions	Single
Handset Rub Clean	–
Riser Rail	–
Fast Fix Kit	No
Valve Inlet Centres	–
Valve Connection	½"
Valve Handle Material	Brass
Min Operating Pressure	0.2 Bar
Max Operating Pressure	3 Bar
Max Static Pressure	5 Bar
Max Operating Temperature	45°C
Thermostatic Safety Stop Setting	38°C
Flow Restrictor	–
Cool Body	No

#### Flow Rates

Pressure	0.2	0.5	1	3
L/min	5.8	10	14	25.8

All Pressures in Bar. All flow in L/Min. Dimensions supplied are nominal and subject to tolerance. Inclusion or restrictors (sold separately unless stated) will affect flow rate result. Performance details are based on trials under test conditions and for guidance only. The Company reserves the right to change product specification without prior notice.

#### Key Features + Benefits



#### Certifications + Approvals



Valve Only

#### Imex Ceramics

15 Millbrook Industrial Estate, Sybron Way, Crowborough TN6 3DU. Technical Support – Tel: 01530 835598 Email: sales@imex.team

All information on the data sheet is correct at the time of publication. All measurements are approximate and subject to standard tolerances.