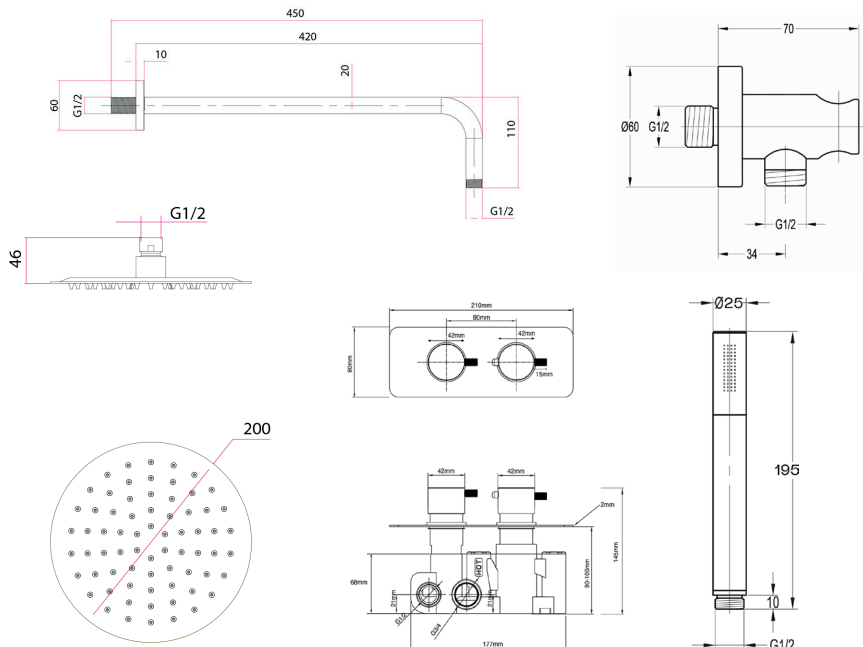


### Keros Pack 1 INS37109



#### Specification

|                                  |                       |
|----------------------------------|-----------------------|
| Finish                           | Chrome                |
| Dimensions                       | -(h) x -(w) x -(d) mm |
| Weight                           | 4.53 kg               |
| Body Material                    | -                     |
| Hose Material                    | Reinforced PVC        |
| Hose Length                      | 1500mm                |
| Hose Type                        | Smooth                |
| Hose Connection                  | ½" Threaded           |
| Hose Bore                        | 7mm                   |
| Overhead                         | Fixed                 |
| Overhead Material                | Stainless Steel       |
| Overhead Size                    | 200mm                 |
| Shower Arm Length                | 420mm                 |
| Handset Material                 | Brass                 |
| Handset Functions                | Single                |
| Handset Rub Clean                | -                     |
| Riser Rail                       | -                     |
| Fast Fix Kit                     | -                     |
| Valve Inlet Centres              | -                     |
| Valve Connection                 | ½"                    |
| Valve Handle Material            | Brass                 |
| Min Operating Pressure           | 0.5 Bar               |
| Max Operating Pressure           | 3 Bar                 |
| Max Static Pressure              | 5 Bar                 |
| Max Operating Temperature        | 45°C                  |
| Thermostatic Safety Stop Setting | 38°C                  |
| Flow Restrictor                  | -                     |
| Cool Body                        | No                    |



#### Flow Rates

| Pressure | 0.2 | 0.5 | 1    | 3    |
|----------|-----|-----|------|------|
| L/min    | 5.7 | 9.7 | 13.8 | 25.4 |

All Pressures in Bar. All flow in L/Min. Dimensions supplied are nominal and subject to tolerance. Inclusion or restrictors (sold separately unless stated) will affect flow rate result. Performance details are based on trials under test conditions and for guidance only. The Company reserves the right to change product specification without prior notice.

#### Key Features + Benefits



#### Certifications + Approvals



Valve Only

#### Imex Ceramics

15 Millbrook Industrial Estate, Sybron Way, Crowborough TN6 3DU. Technical Support – Tel: 01530 835598 Email: sales@imex.team

All information on the data sheet is correct at the time of publication. All measurements are approximate and subject to standard tolerances.