

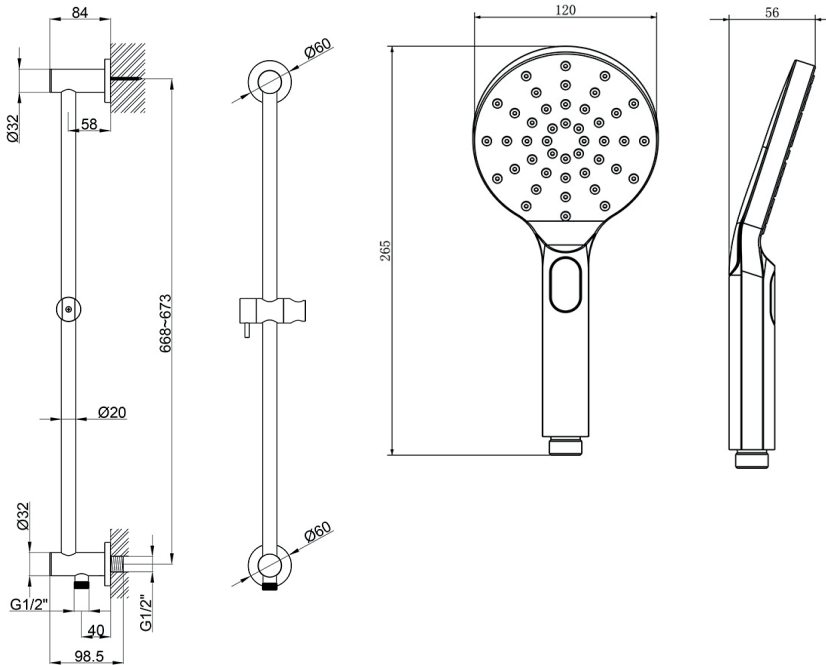
Keros Integrated Wall Elbow Slide Rail Kit, Multifunction Handset + Smooth Hose

INS37085

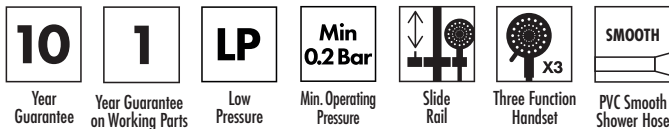


Specification

Finish	Chrome
Dimensions	673(h) x 84(w) mm
Weight	1.2 kg
Body Material	-
Hose Material	Reinforced PVC
Hose Length	1500mm
Hose Type	Smooth
Hose Connection	½" Threaded
Hose Bore	7mm
Overhead	-
Overhead Material	-
Overhead Size	-
Shower Arm Length	-
Handset Material	ABS
Handset Functions	Three
Handset Rub Clean	-
Riser Rail	-
Fast Fix Kit	-
Valve Inlet Centres	-
Valve Connection	-
Valve Handle Material	-
Min Operating Pressure	0.2 Bar
Max Operating Pressure	-
Max Static Pressure	-
Max Operating Temperature	-
Thermostatic Safety Stop Setting	-
Flow Restrictor	-
Cool Body	-



Key Features + Benefits



Certifications + Approvals

Imex Ceramics

15 Millbrook Industrial Estate, Sybron Way, Crowborough TN6 3DU. Technical Support – Tel: 01530 835598 Email: sales@imex.team

All information on the data sheet is correct at the time of publication. All measurements are approximate and subject to standard tolerances.