

### Keros Round Three Handle Triple Outlet Concealed Valve + Brass Plate INS37069



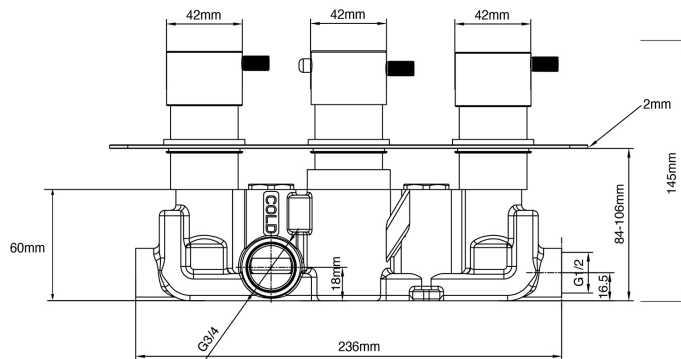
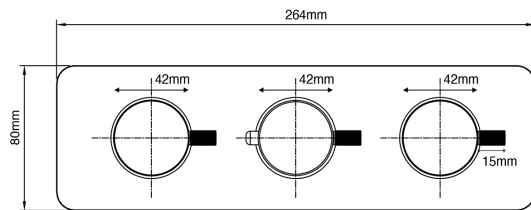
#### Specification

|                        |                   |
|------------------------|-------------------|
| Finish                 | Brushed Brass     |
| Dimensions             | 264(h) x 80(w) mm |
| Weight                 | 3.58 kg           |
| Body Material          | Brass             |
| Valve Connection       | 1/2"              |
| Valve Handle Material  | Brass             |
| Min Operating Pressure | 0.5 Bar           |
| Max Operating Pressure | 3 Bar             |
| Max Static Pressure    | 5 Bar             |
| Max Operating Temp     | 45°C              |

#### Flow Rates

| Pressure | 0.2 | 0.5  | 1    | 3    |
|----------|-----|------|------|------|
| L/min    | 6   | 10.1 | 14.3 | 25.9 |

All Pressures in Bar. All flow in L/Min. Dimensions supplied are nominal and subject to tolerance. Inclusion or restrictors (sold separately unless stated) will affect flow rate result. Performance details are based on trials under test conditions and for guidance only. The Company reserves the right to change product specification without prior notice.



#### Key Features + Benefits



#### Certifications + Approvals



#### Imex Ceramics

15 Millbrook Industrial Estate, Sybron Way, Crowborough TN6 3DU. Technical Support – Tel: 01530 835598 Email: sales@imex.team

All information on the data sheet is correct at the time of publication. All measurements are approximate and subject to standard tolerances.