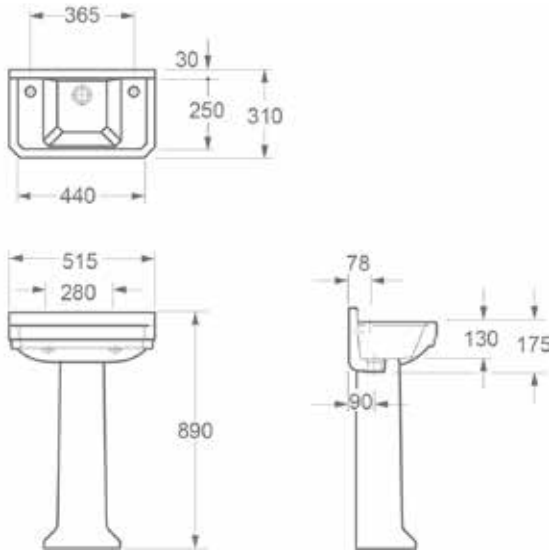


Kensington 525mm Cloakroom Two Taphole Basin INSKE007

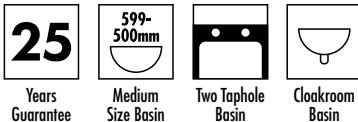


Specification

Finish	White
Dimensions	175(h) x 515(w) x 310(d) mm
Weight	13.5kg
Basin Material	Ceramic
Overflow	Yes
Chainstay Hole	No
Taphole Positioning	Equally off centre
Taps	Not included



Key Features + Benefits



Certifications + Approvals

Imex Ceramics

15 Millbrook Industrial Estate, Sybron Way, Crowborough TN6 3DU. Technical Support – Tel: 01530 835598 Email: sales@imexceramic.co.uk

All information on the data sheet is correct at the time of publication. All measurements are approximate and subject to standard tolerances.