

Kensington 580mm Three Taphole Basin (Full Pedestal) INSKE005B, INSKE009



Basin Specification

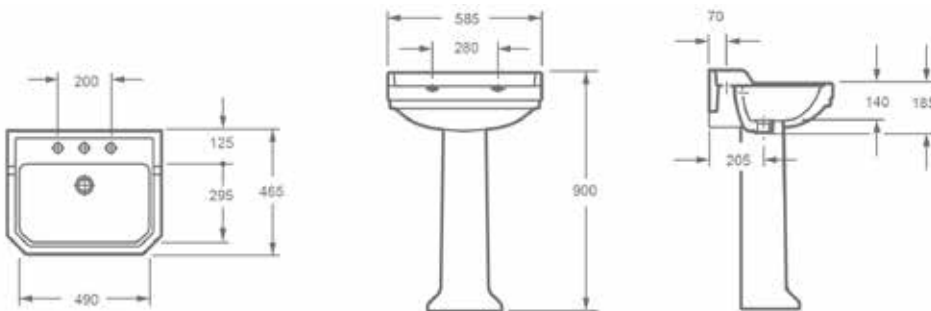
580mm Three Taphole Basin
(INSKE005B)

Finish	White
Dimensions	185(h) x 585(w) x 465(d) mm
Weight	18kg
Basin Material	Ceramic
Overflow	Yes
Chainstay Hole	No
Taphole Positioning	Equally off Centre
Taps	Not included

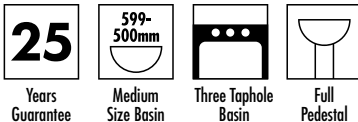
Pedestal Specification

Full Pedestal
(INSKE009)

Finish	White
Dimensions	715(h) x 280(w) x 200(d) mm
Weight	14kg
Pedestal Material	Ceramic



Key Features + Benefits



Certifications + Approvals

Imex Ceramics

15 Millbrook Industrial Estate, Sybron Way, Crowborough TN6 3DU. Technical Support – Tel: 01530 835598 Email: sales@imexceramic.co.uk

All information on the data sheet is correct at the time of publication. All measurements are approximate and subject to standard tolerances.