

Kensington Standard Height Open Back Close Coupled WC Suite INSKE001, INSKE002, INSKE004



Cistern Specification

Close Coupled Cistern Inc Fittings
(INSKE002)

Finish	White
Dimensions	345(h) x 520(w) x 177(d) mm
Weight	18.5kg
Cistern Fitting Manufacturer	R&T
Lever	Lever
Lever Position	Right Hand
Inlet Position (When looking at WC)	Left

Seat Specification

Oak, Soft Close, Seat + Cover
(INSKE004)

Finish	Oak
Dimensions	60(h) x 370(w) x 430(d) mm
Weight	3.3kg
Seat Hinge Material	Metal / Plastic
Antibacterial Protection	Yes
Seat Type	Standard
UV Protection	Yes
Max Load Test	150kg
Seat Material	Wood

Pan Specification

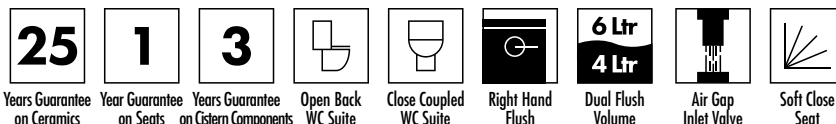
Standard Height Open Back Close Coupled Pan
(INSKE001)

Finish	White
Dimensions	400(h) x 370(w) x 690(d) mm
Weight	21kg
Fixing Supplied	Yes
Fixing Exposed or Concealed	Concealed

FAQs

Please see next page

Key Features + Benefits



Imex Ceramics

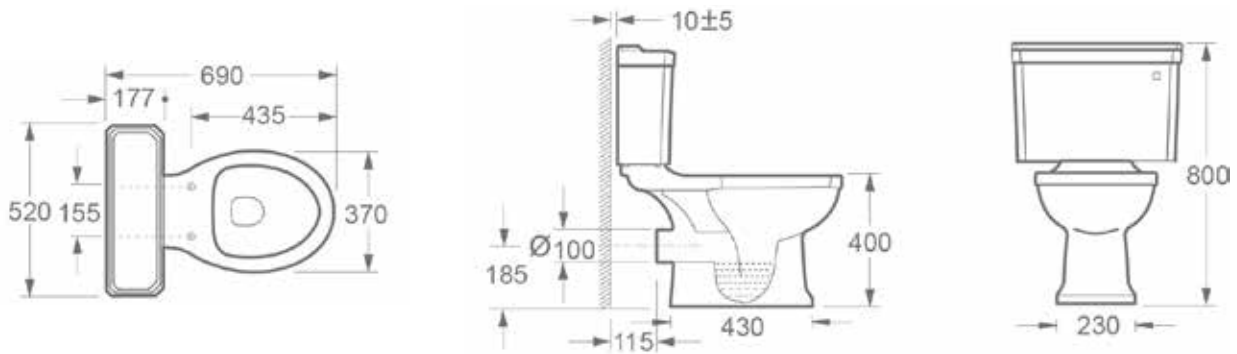
15 Millbrook Industrial Estate, Sybron Way, Crowborough TN6 3DU. Technical Support – Tel: 01530 835598 Email: sales@imexceramic.co.uk

All information on the data sheet is correct at the time of publication. All measurements are approximate and subject to standard tolerances.

Certifications + Approvals

Kensington Standard Height Open Back Close Coupled WC Suite INSKE001, INSKE002, INSKE004

Pan (INSKE001) + Cistern (INSKE002)



Seat (INSKE004)

