

Kensington Standard Height Open Back High Level WC Suite INSKE001LLHL, INSKE002HL, INSKE050, INSKE004



Cistern Specification

High Level Cistern Inc Fittings
(INSKE002HL)

Finish	White
Dimensions	345(h) x 480(w) x 200(d) mm
Weight	1.8kg
Cistern Fitting Manufacturer	R&T
Lever	Chain Pull
Lever Position	Right Hand
Inlet Position (When looking at WC)	Left

Seat Specification

Oak, Soft Close, Seat + Cover
(INSKE004)

Finish	Oak
Dimensions	60(h) x 370(w) x 430(d) mm
Weight	3.3kg
Seat Hinge Material	Metal / Plastic
Antibacterial Protection	Yes
Seat Type	Standard
UV Protection	Yes
Max Load Test	150kg
Seat Material	Wood

Pan Specification

Standard Height Low / High level Open Back Pan
(INSKE001LLHL)

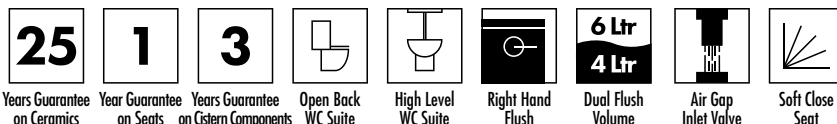
Finish	White
Dimensions	400(h) x 370(w) x 740(d) mm
Weight	21kg
Fixing Supplied	Yes
Fixing Exposed or Concealed	Concealed

Pipe Specification

High Level Pipe / Bracket Kit
(INSKE051)

Finish	Chrome
Dimensions	-
Weight	-

Key Features + Benefits



Years Guarantee on Ceramics | Year Guarantee on Seats | Years Guarantee on Cistern Components | Open Back WC Suite | High Level WC Suite | Right Hand Flush | Dual Flush Volume | Air Gap Inlet Valve | Soft Close Seat

Certifications + Approvals

Imex Ceramics

15 Millbrook Industrial Estate, Sybron Way, Crowborough TN6 3DU. Technical Support – Tel: 01530 835598 Email: sales@imexceramic.co.uk

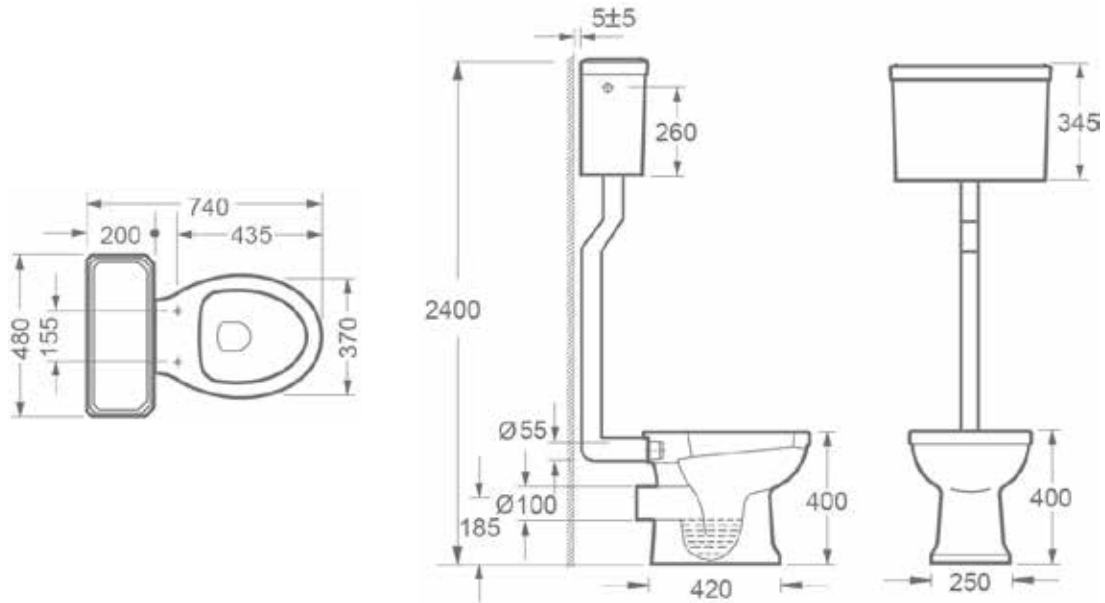
All information on the data sheet is correct at the time of publication. All measurements are approximate and subject to standard tolerances.

Technical Data Sheet | Sanitaryware

www.instinctproducts.co.uk

Kensington Standard Height Open Back High Level WC Suite INSKE001LLHL, INSKE002HL, INSKE050, INSKE004

Pan (INSKE001LLHL), Cistern (INSKE002HL) + Pipe (INSKE051)



Seat (INSKE004)

