

Technical Data Sheet | Bathroom Tap

www.instinctproducts.co.uk

Keal Bath Shower Mixer + Kit (Two Taphole)

INSKEBSMC, INSKEBSMMB



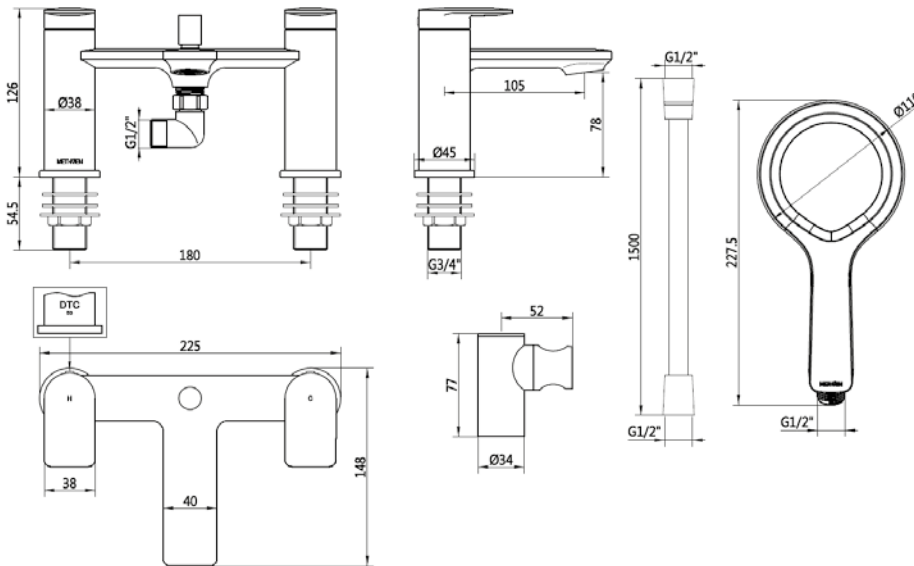
Specification

Finish	Chrome (INSKEBSMC) Matt Black (INSKEBSMMB)
Dimensions	126(h) x 225(w) x 148(d) mm
Weight	2.205kg
Body Material	Brass
Spout Material	Brass
Fittings	Brass backnut & washer
Connection	3/4" BSP threaded tail
Cartridge Size	3/4" QT headwork
Flow Restrictor	Yes
Max Static Pressure	49 Bar
Min Dynamic Pressure	0.3 Bar
Max Dynamic Pressure	5 Bar
Max Water Temperature	60°C

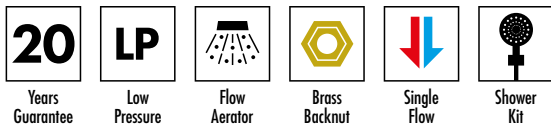
Flow Rates

Pressure	0.1	0.3	0.5	1.0	3.0
Flow Aerator	7.69	11.5	15.06	21.62	37.95

All Pressures in Bar. All flow in L/Min. Dimensions supplied are nominal and subject to tolerance. Inclusion or restrictors (sold separately unless stated) will affect flow rate result. Performance details are based on trials under test conditions and for guidance only. The Company reserves the right to change product specification without prior notice.



Key Features + Benefits



Certifications + Approvals



2207366 – July 27

Methven UK Limited

Methven Experience Centre, 3/3A Stone Cross Court, Yew Tree Way, Golborne, Warrington WA3 3JD. Technical Support – Tel: 0800 195 1602 Email: sales@uk.methven.com

All information on the data sheet is correct at the time of publication. All measurements are approximate and subject to standard tolerances.