

Please retain for future reference

Installation and Fitting Instructions

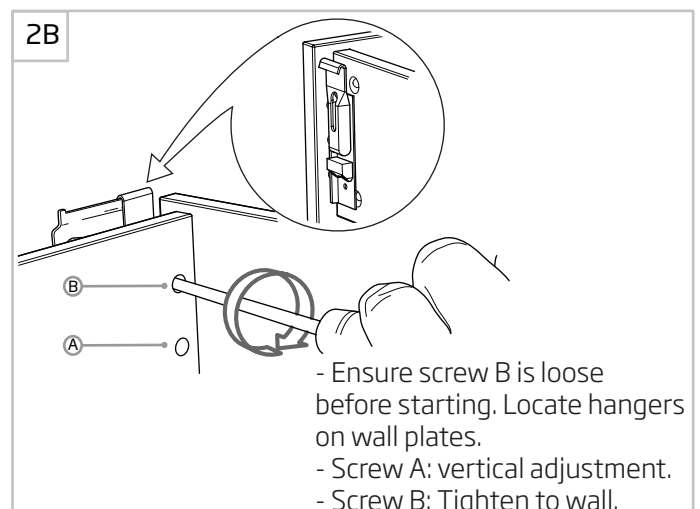
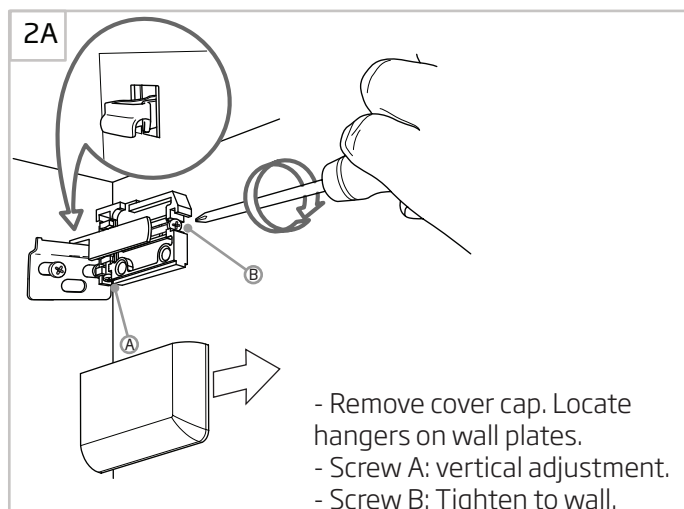
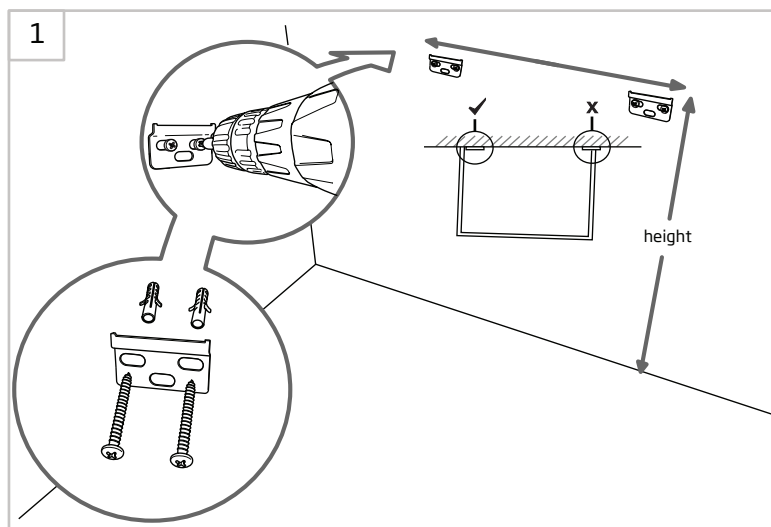
Before you start

It is recommended that all units and basins are secured to a suitably reinforced wall to ensure stability. Wall plugs supplied are only suitable for solid stone / brick wall. For plasterboard walls use specialist wall plugs, If in any doubt please consult an expert.

Wear suitable eye protection when drilling. Take care when using power tools near water - the use of a residual current device (RCD) is recommended. Beware of hidden pipes or cables. Take care when drilling tiled surfaces as the drill might slip. Use a piece of masking tape to prevent the drill from wandering.

Fitting Wall Column

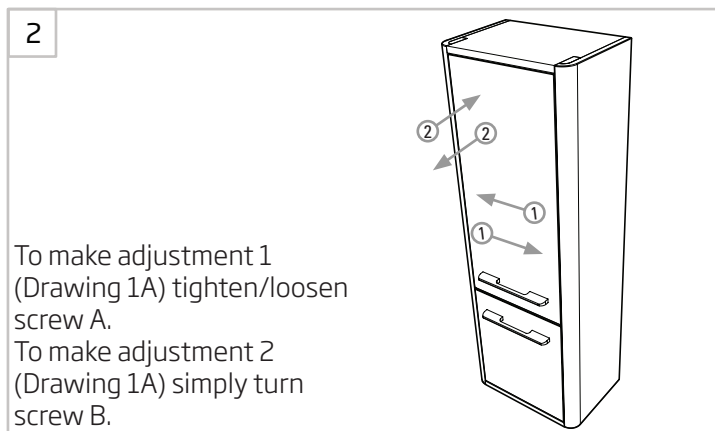
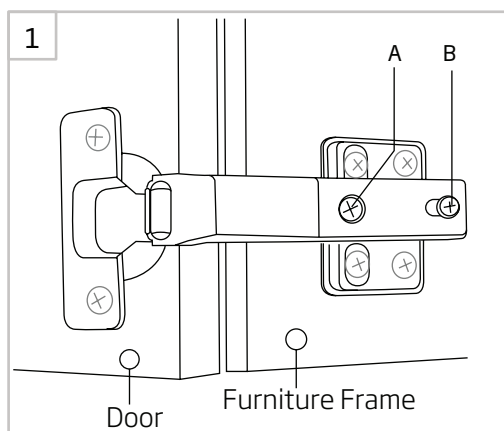
To hang the unit use the provided kit. Mark the location of each mounting plate ensuring that they are positioned inside the sidewalls of the unit. Fix the hanging plates in place using the appropriate fixings and then follow the adjustment guides from the options below:



Door adjustment

Hinge adjustment

To adjust the door hinges use a screwdriver and follow the appropriate adjustment according to the hinge type:



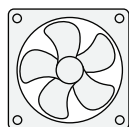
Furniture Aftercare Instructions

As with all wooden furniture, this unit should be treated with care:

We recommend...



Wipe away any water splashes or condensation after use. Excessive exposure to water will deteriorate the furniture.



All bathrooms should be well ventilated with a suitable extractor fan.



Clean with a soft damp cloth only.



Use a wax free polish if one must be used.

For removal of lime scale deposits use a suitable proprietary cleaner. If necessary test on an inconspicuous area first.

Please DO NOT...



Do not scrub or scour



Do not use abrasive cleaning agents

Replacement components

Should you require any replacement components for this product please contact customer services using the contact details below.